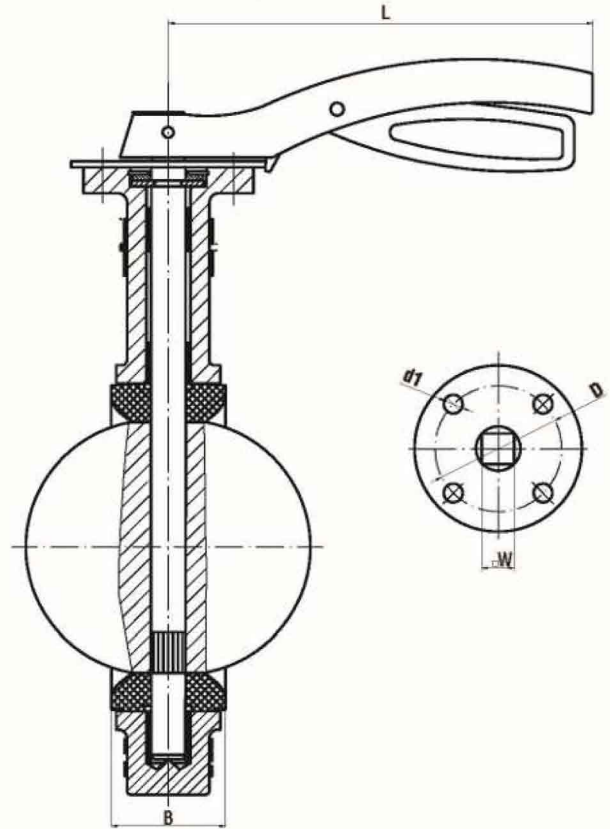
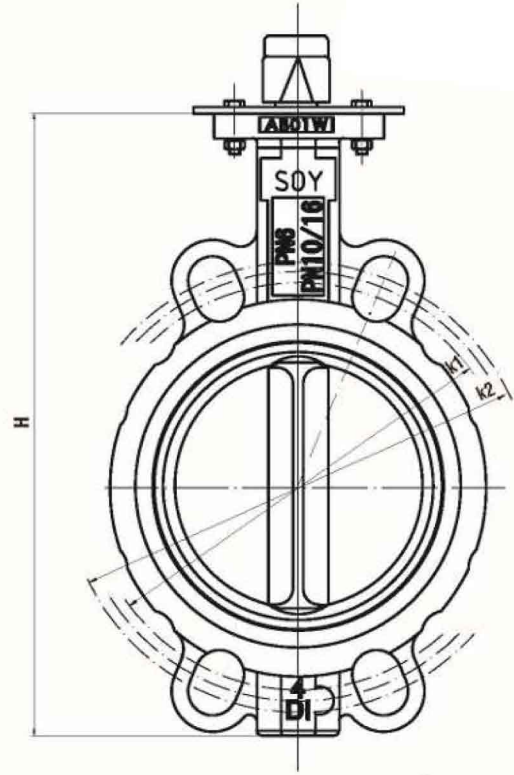


WAFER TİP KELEBEK VANA

WAFER TYPE BUTTERFLY VALVE



DN	H	L	D	d ₁	W	B	PN6 PN10 PN16			KG
							Øk1	Øk2	Øk2	
32	198	172	50	7	9	33	90	100	100	1.8
40	198	172	50	7	9	33	100	110	110	2.1
50	198	172	50	7	9	43	110	125	125	2.4
65	218	172	50	7	9	46	130	145	145	2.9
80	233	172	50	7	9	46	150	160	160	3.3
100	270	218	70	10	11	52	170	180	180	4.9
125	303	218	70	10	14	56	200	210	210	6.2
150	340	218	70	10	14	56	225	240	240	7.5
200	400	322	102	12	17	60	280	295	295	13.8
250	470	322	102	12	22	68	335	350	355	21.5
300	540	230	102	12	22	78	395	400	410	35.3
350	610	230	125	14	22	78	445	460	470	46.5
400	680	230	140	18	27	86	495	515	525	75.3
450	740	230	140	18	27	105	550	565	585	93.5
500	820	230	140	18	36	130	600	620	650	118.5

NO	PARÇA ADI	PART NAME	MALZEME/MATERIAL
1	GÖVDE	BODY	GGG40 / GG25
2	UZUN BURÇ	LONG BUSHING	PTFE
3	MİL	STEM	AISI 416
4	CONTA	GASKET	NBR/VITON/PTFE
5	KLAPE	DISC	ASTM B505 / CF8M
6	KISA BURÇ	SHORT BUSHING	PTFE
7	O RİNG	O RING	NBR
8	PUL	WASHER	GR.33
9	SEGMAN	CIRCLIP	GR.33
10	KOL	LEVER	ST42
11	CİVATA	BOLT	STEEL

UYGULAMA ALANLARI / USE OPERATING

SU, DENİZ, SUYU, ATIK SU, HAVA, YAĞ, TOZ, GAZ vb.
WATER, SEA WATER, WASTE WATER, AIR, OIL, GAS, etc.

BAĞLANTILAR / ENDS: DIN EN 1092-2

ÇALIŞMA BASINCI / WORKING PRESSURE :PN6 PN10 PN16



USKON AKIŞKAN KONTROL SİSTEMLERİ SANAYİ VE TİCARET LTD. ŞTİ.

Kemankeş Kara MustafaPaşa Mah. Ağaç Tulumba Sok. No: 4/A Karaköy / İstanbul Tel: +90 (212) 251 05 05 Fax: +90 (212) 251 05 79 info@us-kon.com.tr