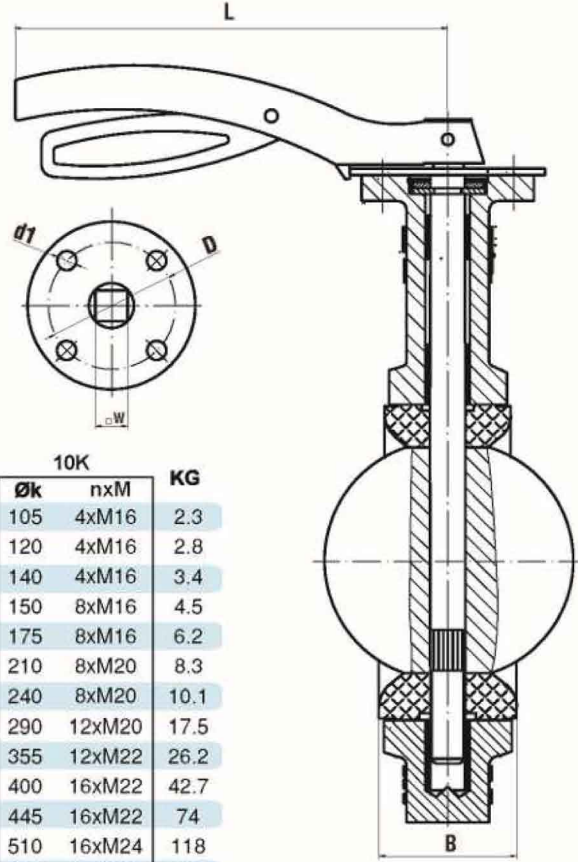
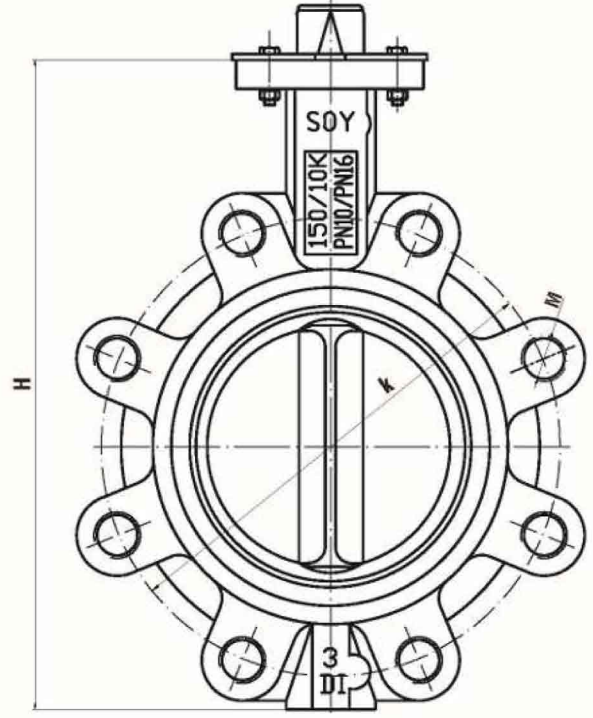


LUG TİP KELEBEK VANA

LUG TYPE BUTTERFLY VALVE



DN	H	L	D	d ₁	W	B	PN10		PN16		5K		10K		KG
							Øk	nxM	Øk	nxM	Øk	nxM	Øk	nxM	
40	198	172	50	7	9	33	110	4xM16	110	4xM16	95	4xM12	105	4xM16	2.3
50	198	172	50	7	9	43	125	4xM16	125	4xM16	105	4xM12	120	4xM16	2.8
65	218	172	50	7	9	46	145	8xM16	145	8xM16	130	4xM12	140	4xM16	3.4
80	233	172	50	7	9	46	160	8xM16	160	8xM16	145	4xM16	150	8xM16	4.5
100	270	218	70	10	11	52	180	8xM16	180	8xM16	165	8xM16	175	8xM16	6.2
125	303	218	70	10	14	56	210	8xM16	210	8xM16	200	8xM16	210	8xM20	8.3
150	340	218	70	10	14	56	240	8xM16	240	8xM20	230	8xM16	240	8xM20	10.1
200	400	322	102	12	17	60	295	8xM16	295	12xM20	280	8xM20	290	12xM20	17.5
250	470	322	102	12	22	68	350	12xM20	355	12xM24	345	12xM20	355	12xM22	26.2
300	540	230	102	12	22	78	400	12xM20	410	12xM24	390	12xM20	400	16xM22	42.7
350	610	230	125	14	22	78	460	16xM20	470	16xM24	435	12xM22	445	16xM22	74
400	680	230	140	18	27	86	515	16xM24	525	16xM27	495	16xM22	510	16xM24	118
450	740	230	140	18	27	105	565	20xM24	585	20xM27	555	16xM22	565	20xM24	140
500	820	230	140	18	36	130	620	20xM24	650	20xM30	605	20xM22	620	20xM24	179

NO	PARÇA ADI	PART NAME	MALZEME/MATERIAL
1	GÖVDE	BODY	GGG40 / GG25
2	UZUN BURÇ	LONG BUSHING	PTFE
3	MİL	STEM	AISI 416
4	CONTA	GASKET	NBR/VITON/PTFE
5	KLAPE	DISC	ASTM B505 / CF8M
6	KISA BURÇ	SHORT BUSHING	PTFE
7	O RING	O RING	NBR
8	PUL	WASHER	GR.33
9	SEGMAN	CIRCLIP	GR.33
10	KOL	LEVER	ST42
11	CIVATA	BOLT	STEEL

UYGULAMA ALANLARI / USE OPERATING

SU, DENİZ, SUYU, ATIK SU, HAVA, YAĞ, TOZ, GAZ vb.
WATER, SEA WATER, WASTE WATER, AIR, OIL, GAS, etc.

BAĞLANTILAR / ENDS: DIN EN 1092-2

ÇALIŞMA BASINCI / WORKING PRESSURE :PN6 PN10 PN16

ÇALIŞMA SICAKLIĞI WORKING TEMPERATURE

-12 +82°C



USKON AKIŞKAN KONTROL SİSTEMLERİ SANAYİ VE TİCARET LTD. ŞTİ.

Kemankeş Kara MustafaPaşa Mah. Ağaç Tulumba Sok. No: 4/A Karaköy / İstanbul Tel: +90 (212) 251 05 05 Fax: +90 (212) 251 05 79 info@us-kon.com.tr