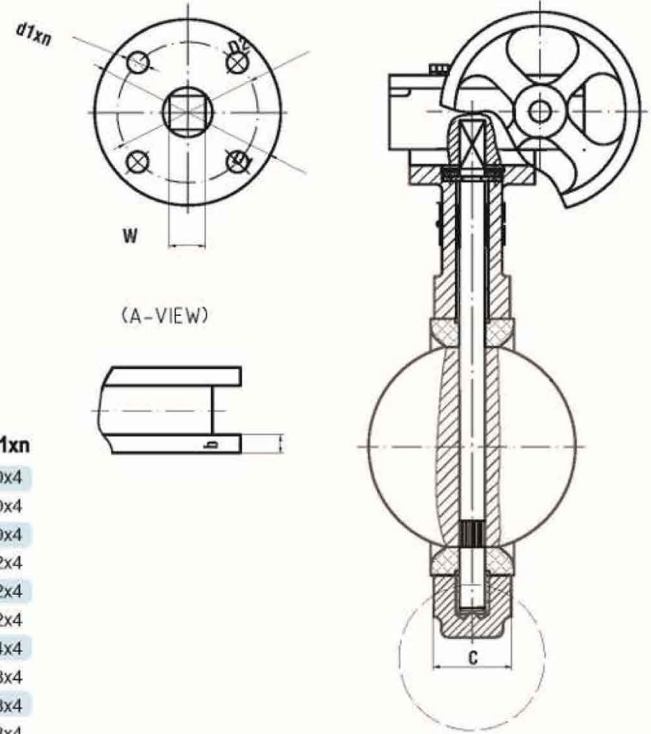
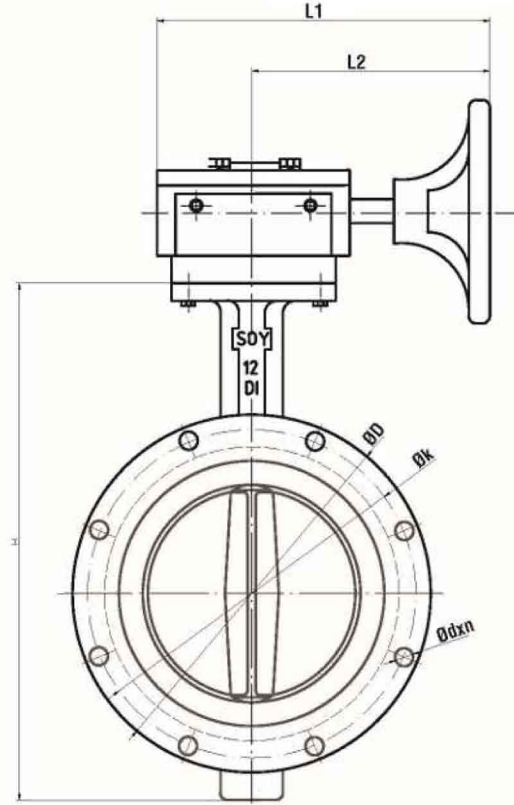


U TİP KELEBEK VANA

U TYPE BUTTERFLY VALVE



NO	PARÇA ADI	PART NAME	MATERIAL
1	GÖVDE	BODY	GGG40
2	UZUN BURÇ	LONG BUSHING	PTFE
3	MİL	STEM	AISI 416
4	CONTA	GASKET	NBR
5	KLAPPE	DISC	ASTM B505
6	KISA BURÇ	SHORT BUSHING	PTFE
7	O RING	O RING	NBR
8	PUL	WASHER	GR.33
9	SEGMAN	CIRCLIP	GR.33
10	DİŞLİ KUTUSU	GEAR BOXES	STEEL
11	CİVATA	BOLT	STEEL

DN	ØD	Øk	H	b	c	L1	L2	Ødxn	D1	D2	w	Ø	Ød1xn
100	220	180	279	14	52	208	155	19x8	90	70	11	15.8	10x4
125	250	210	307	16	56	208	155	19x8	90	70	14	18.9	10x4
150	285	240	339	18	56	208	155	23x8	90	70	14	18.9	10x4
200	340	295	390	20	60	313	237	23x12	125	102	17	22.1	12x4
250	405	355	448	22	68	313	237	28x12	125	102	22	28.5	12x4
300	460	410	532	22	78	307	225	28x12	125	102	22	31.6	12x4
350	520	470	709	24	78	307	225	28x16	150	125	22	31.6	14x4
400	580	525	709	24	102	358	254	31x16	175	140	27	xxx	18x4
450	640	585	750	30	114	358	254	31x20	175	140	27	42.9	18x4
500	715	650	841	32	127	358	254	34x20	175	140	36	45.7	18x4

UYGULAMA ALANLARI / USE OPERATING

SU, DENİZ SUYU, ATIK SU, HAVA, YAĞ, TOZ, GAZ, v.b
 WATER, SEA WATER, WASTE WATER, AIR, OIL, GAS, etc.
 BAĞLANTILAR / ENDS: DIN EN 1092 - 2
 ÇALIŞMA BASINCI / WORKING PRESSURE: PN16

ÇALIŞMA SICAKLIĞI WORKING TEMPERATURE

-12 +82°C



USKON AKIŞKAN KONTROL SİSTEMLERİ SANAYİ VE TİCARET LTD. ŞTİ.

Kemankeş Kara MustafaPaşa Mah. Ağaç Tulumba Sok. No: 4/A Karaköy / İstanbul Tel: +90 (212) 251 05 05 Fax: +90 (212) 251 05 79 info@us-kon.com.tr