

pressure transmitters for general purpose

Accuracy 0,5%

MPS520 Series



Description

MPS520 series pressure transmitters are suitable for liquids, gas pressure measuring and controlling in the moderate media, with sensor probe working very well with long term stability at the high temperature of 85°C

The measuring ranges, graded in accordance with EN, range from -1 bar to the maximum pressure range of 600 bar. The case and wetted parts comprise stainless steel and are thus resistant to chemically aggressive media. The pressure connection and measuring element are welded together, making the measuring system particularly resistant to mechanical shock or vibration.

Features

- Compact design
- Protection type IP 65 or IP67 and IP68 as optional
- Corrosion resistant stainless steel design
- Wide Measuring Range
- Simple Installation
- Various Output Signal

Measuring Ranges

Code	Range	Code	Range	Code	Range
001	0...25 mBar	010	0...1,6 Bar	019	0...100 Bar
002	0...40 mBar	011	0...2,5 Bar	020	0...160 Bar
003	0...60 mBar	012	0...4 Bar	021	0...250 Bar
004	0...100 mBar	013	0...6 Bar	022	0...400 Bar
005	0...160 mBar	014	0...10 Bar	023	0...600 Bar
006	0...250 mBar	015	0...16 Bar	XXX	Special Ranges
007	0...400 mBar	016	0...25 Bar		
008	0...600 mBar	017	0...40 Bar		
009	0...1 Bar	018	0...60 Bar		

MPS520 Series

Technical Specification

Accuracy

±0.5% FS for MPS500

Overpressure

Full scale ranges up to 16 bar – 2,5x
Above 16 to 600 bar - 2x

Operating Temperature Range

-40° to +85° C

Compensated Temperature Range

0° to +80° C

Electrical

2-wire, 4-20 mA, 10-36 Vdc power
Option : 0-5 VDC or 0-10 VDC*
*Supply should be 14 VDC min.

Body

Wetted Parts are Stainless Steel AISI 316L
Body tube is AISI304. Other, on request

Electrical Connection

DIN 43650A or cable connection

Protection Degree

IP65, IP67 and IP68 as optional

Process Connection

1/4" or 1/2" NPT or G

Hysteresis, Repeatability

0,05% of FS

Stability

0,15% of FS/year

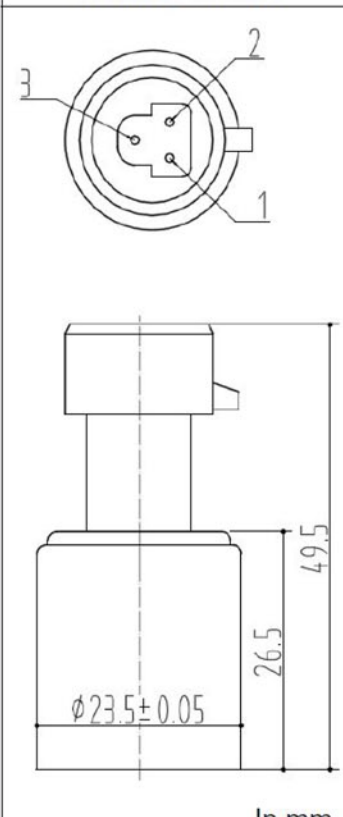
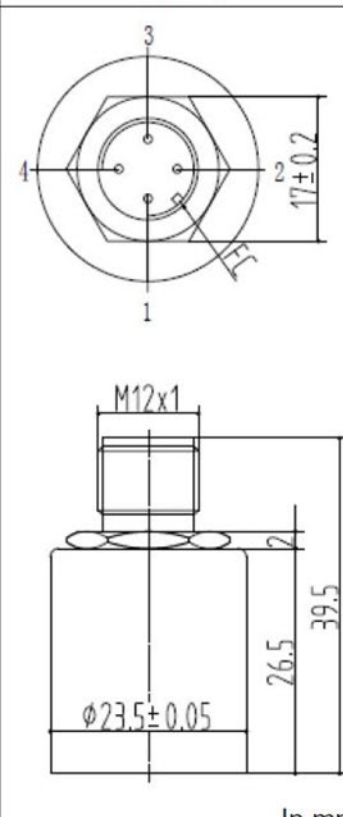
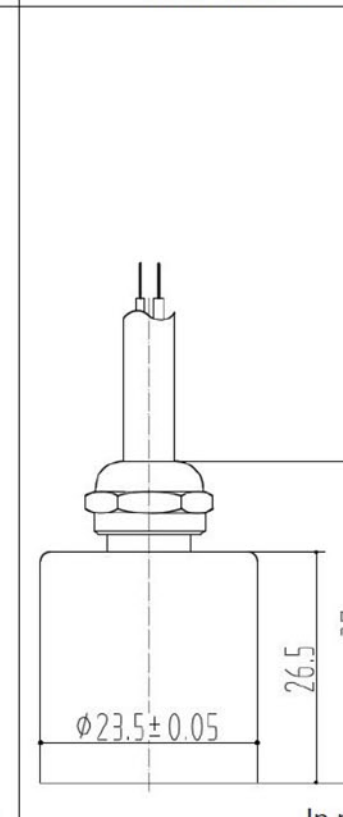
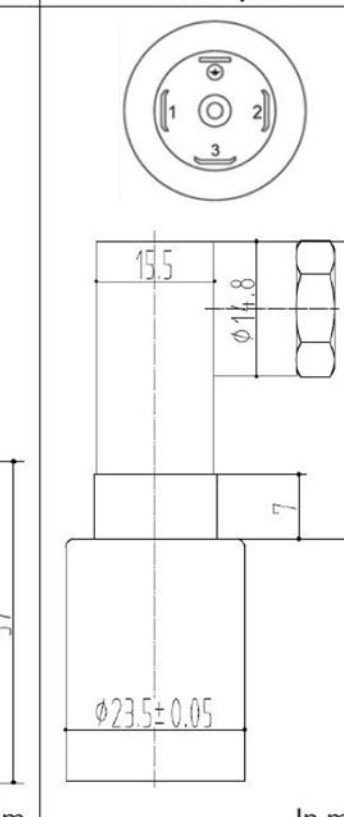
Ordering

MPS520 . XXX . XX . XX . XX . XXX

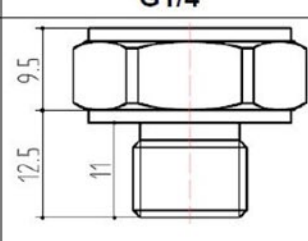
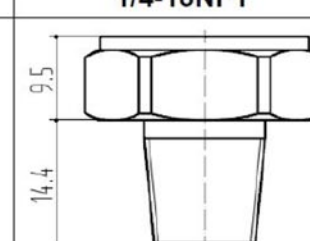
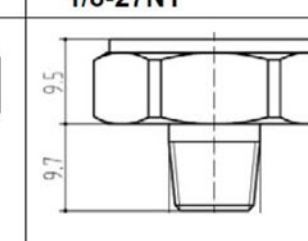
					Electrical Connection
					DIN : DIN 43650C 010 : Cable Length 10 m. PIN : M12 Pin connector RPC: Round Packard
					Process Connection
					01 : M14x1,5 (please specify other size as X) 02 : M12x1,2 03 : G 1/4" 04 : 1/4" NPT-M
					Pressure Type
					01 : Relative 02 : Absolute
					Measuring Range (Please see "Measuring Ranges Table") Output
					Output
					420 : 4-20 mA (please specify other output as X) 050 : 0-5 VDC 010 : 0-10 VDC



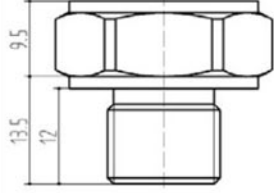
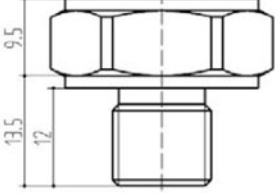
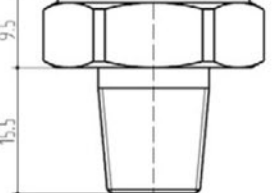
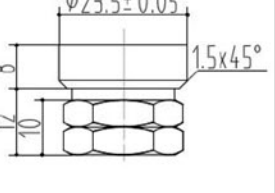
Wiring

Round Packard		M12×1P		Cable outlet		Mini 4 pin	
 <p>In mm</p>		 <p>In mm</p>		 <p>In mm</p>		 <p>In mm</p>	
C1		C2		C3		C4	
Current (2 wire)	Voltage (3 wire)	Current (2 wire)	Voltage (3 wire)	Current (2 wire)	Voltage (3 wire)	Current (2 wire)	Voltage (3 wire)
Pin 1 +Excitation Pin2 +Output Pin 3 Pending	Pin 1 +Excitation Pin 2 –Excitation Pin 3 +Output	Pin 1 +Excitation Pin2 +Output Pin 3 Pending Pin 4 Pending	Pin1 +Excitation Pin2 +Output Pin 3 -Excitation Pin 4 Pending	Red: +Excitation Green: +Output	Red +Excitation Green –Excitation Yellow +Output	Pin1 +Excitation Pin2 +Output Pin 3 Pending	Pin1 +Excitation Pin2 –Excitation Pin 3 +Output

Dimensions

Thread	G1/4	1/4-18NPT	1/8-27NT
Dimension in mm Hex 24mm			
Code	03	04	XX



Thread	M14×1.5	M12×1.5	1/4-19PT	7/16-20UNF(female)
Dimension in mm Hex 24mm				
Code	01	02	XX	XX

XX : Please specify in order