

## pressure transmitters for OEM applications

Accuracy  $\pm 0,5\%$  F.S.

### MPS100 Series

#### Description

MPS100 series pressure transmitters are suitable for liquids, gas pressure measuring and controlling in the moderate media, with sensor probe working very well with long term stability at the high temperature of 125°C

The measuring ranges, graded in accordance with EN, range from 0-6 bar to the maximum pressure range of 0-100 bar. The case and wetted parts comprise stainless steel and are thus resistant to chemically aggressive media. The pressure connection and measuring element are welded together, making the measuring system particularly resistant to mechanical shock or vibration.

#### Measuring Ranges

Code	Range
013	0...6 Bar
014	0...10 Bar
015	0...16 Bar
016	0...25 Bar
017	0...40 Bar
018	0...60 Bar
019	0...100 Bar
XXX	Special Ranges

#### Technical Specification

##### Accuracy

$\pm 0.5\%$  FS for MPS100

##### Overpressure

Full scale ranges x 1,5

##### Operating Temperature Range

-40° to +125° C

##### Compensated Temperature Range

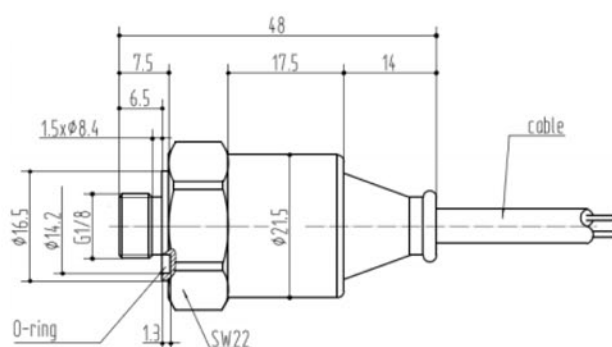
0° to +100° C



#### Features

- Compact design
- Protection type IP 65 or IP67 as optional
- Corrosion resistant stainless steel design
- Low Cost
- Simple Installation
- Ceramic Sensor Technology

#### Dimensions



##### Body

Body tube is AISI304. Other, on request

##### Electrical Connection

DIN 43650C or cable connection

##### Protection Degree

IP65, IP67 and IP68 as optional

##### Process Connection

1/8", 1/4", M12, M18 NPT or G



