

FLOW SIGHT GLASS GAUGE

NAH-1 – WITHOUT ROTOR **NAH-2 – WITH ROTOR**

NAH are used for mounting in pipes for fluids. The instruments are equipped with female threads at inlet and outlet and can be supplied with either brass or stainless steel fittings.

Technical Data

Material: Body: Polycarbonate (P.C), Polysulfone (PSU) & SS316 available
 Tube Housing: Polycarbonate (P.C), Polysulfone (PSU) & Glass available
 O-rings: Viton
 Rotor: POM, PP+10% glass fiber available
 Rotor guide: SS316
 Thread connection: SS316

Viscosity: 1~150 mm²/s

Indication Range: minimum 0.4~4 L/Min; maximum 8~100 L/Min for water

Max. Pressure: PC body: 8bar; PSU body: 12bar; SS316 body: 16bar

Max. Temperature: PC body: -5°C~+80°C; PSU & SS316 body: -5°C~+120°C

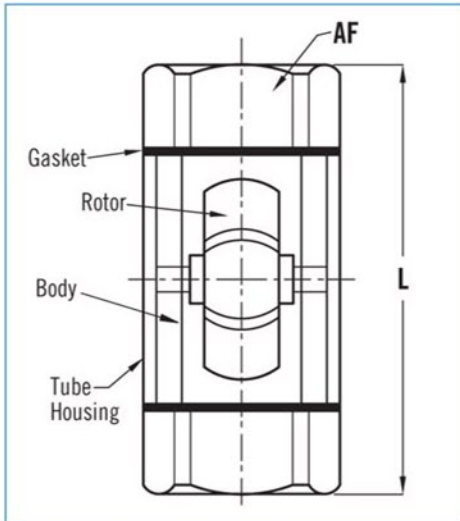
Connection Size: ¼", ⅜", ½", ¾", 1" female PF or NPT available



NAH-1

NAH-2

Dimensions-mm

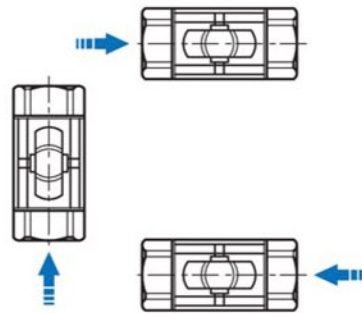


Size	L		AF	
	NPT	PF	NPT	PF
¼"	80	80	30	30
⅜"	80	80	30	30
½"	104	104	40	40
¾"	104	104	40	40
1"	104	104	40	46

Range Table

PF/NPT	With Rotor	Without Rotor
¼"	0.4~4 L/Min	8.3 L/Min
⅜"	0.6~8 L/Min	11.1 L/Min
½"	1~12 L/Min	31.5 L/Min
¾"	1~25 L/Min	36.5 L/Min
1"	1.6~40 L/Min	38.0 L/Min

Flow Direction



NOTE:
 Flow Direction only can:
 1. Bottom to Top
 2. Left to Right
 3. Right to Left

Ordering Informaion

NAH	Code	Model
	1	Without Rotor
	2	With Rotor
		Code Body / Tube Housing Material
	1	P.C / P.C
	2	PSU / PSU
	3	SS316 / Glass
		Code Connection Size
	(1) ¼" (2) ⅜" (3) ½" (4) ¾" (5) 1"	
		Code Connection Rating-female
	1	NPT
	2	PF
		Code O-Ring Material
	V	Viton
		Code Rotor Material
	1	POM
	2	PP+10% galsss fiber
	3	Without Rotor (NAH-1 only)

