

METAL TUBE FLOW METER DF SERIES

DF-1 Indicating Only

DF-2 With Alarm Switch

Technical Data

Service: Air, Water

Material: Case— SS316 for DF-1; Aluminum for DF-2;
Body— SS316; Orifice Piston— SS316, PVDF

Dial Size: DF-1 Indicating only: $\phi 4''$, $\phi 6''$ available
DF-2 With alarm switch: $\phi 4''$ only

Indication: Via Magnetic Coupling (no seals)

Scales: LPM, LPH in water; NLPM, Nm³/H in air

Flow Rate: Water— 0.25 LPM up to 20 LPM; 15 LPH up to 1200 LPH
Air— 6 NLPM up to 500 NLPM; 0.35 Nm³/Hr up to 30 Nm³/Hr

Max. Working Temperature: 80°C

Max. Working Pressure: Standard 200 kg/cm²; other options upon request

Adjustable Micro Switch

1 adjustable alarm contact

Load: 5A/125VAC, 5A/250VAC, 2A/30VDC

Temperature: -25°C ~ +100°C (AMB)

Hysteresis: $\pm 10\%$ F.S (Dead Band)

Connection Size: $\frac{1}{4}''$, $\frac{1}{2}''$ NPT or BSP

Protection Class: IP66

Accuracy: $\pm 4\%$ F.S ($\pm 3\%$ F.S option)



DF-1 PC



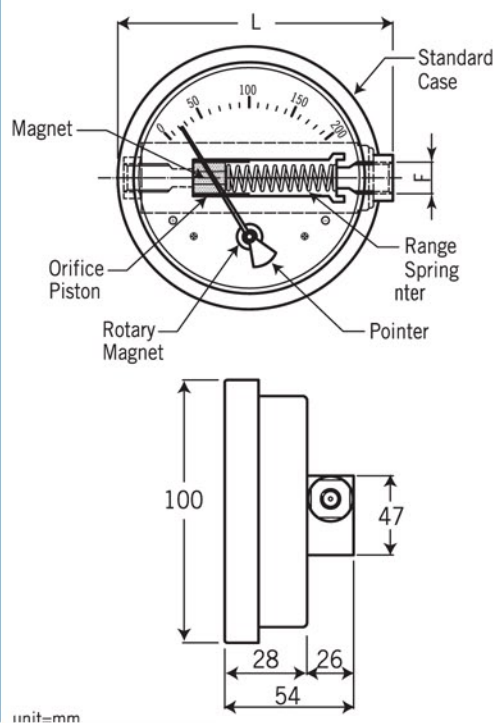
DF-2 CE PC

Range Selection Table

Water 20°C				Air 20°C 1.013 bar				BSP/ NPT	Thread Type L (mm)
Code	LPM	Code	LPH	Code	NLPM	Code	Nm ³ /Hr		
001	0.25~1.3	007	15~80	013	6~30	019	0.35~1.7	$\frac{1}{4}''$	≈ 108
002	0.7~3	008	40~200	014	15~80	020	1~4.7	$\frac{1}{2}''$	≈ 130
003	0.8~4	009	50~250	015	20~110	021	1.3~6.6		
004	1.8~9	010	110~550	016	40~220	023	2.6~13		
005	2.6~13	011	160~800	017	60~320	024	4~20		
006	4~20	012	250~1200	018	100~500	025	6~30		

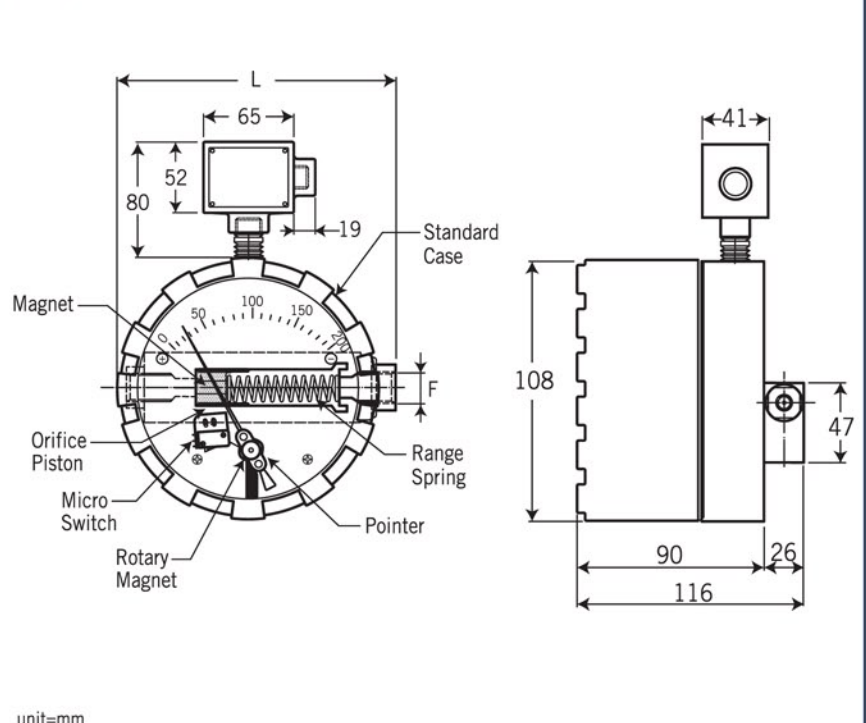
Dimensions

DF-1



unit=mm

DF-2



unit=mm



USKON AKIŞKAN KONTROL SİSTEMLERİ SANAYİ VE TİCARET LTD. ŞTİ.

Kemankeş Kara MustafaPaşa Mah. Ağaç Tulumba Sok. No: 4/A Karaköy / İstanbul Tel: +90 (212) 251 05 05 Fax: +90 (212) 251 05 79 info@us-kon.com.tr

