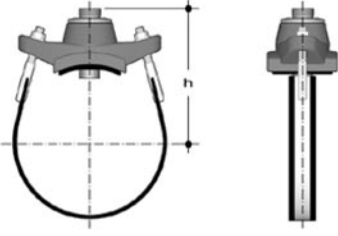
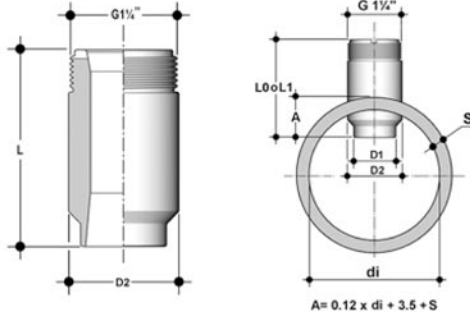


INSTALLATION ON METAL PIPES



Strap-on Saddles

Part No.	DN/Size	O.D. min.	O.D. max	Parallel Thread (GAS)	O-ring	Body	Insert	h	Drilling Hole	Flow Sensor Length	Suitable for (*)
SZIC080I	80	88	104	1 1/4"	NBR	Cast iron + SS	CPVC	153	40	L0	F
SZIC100I	100	112	126	1 1/4"	NBR	Cast iron + SS	CPVC	160	40	L0	F
SZIC125I	125	140	154	1 1/4"	NBR	Cast iron + SS	CPVC	170	40	L0	F
SZIC150I	150	168	184	1 1/4"	NBR	Cast iron + SS	CPVC	180	40	L0	F
SZIC200I	200	218	244	1 1/4"	NBR	Cast iron + SS	CPVC	228	40	L1	F
SZIC250I	250	272	295	1 1/4"	NBR	Cast iron + SS	CPVC	247	40	L1	F
SZIC300I	300	322	354	1 1/4"	NBR	Cast iron + SS	CPVC	266	40	L1	F
SZIC350I	350	356	414	1 1/4"	NBR	Cast iron + SS	CPVC	305	40	L1	F
SZIC400I	400	406	472	1 1/4"	NBR	Cast iron + SS	CPVC	324	40	L1	F
SZIC450I	450	457	534	1 1/4"	NBR	Cast iron + SS	CPVC	343	40	L1	F



316L SS Weld on Adapters

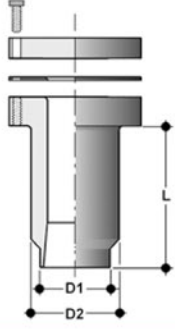
Part No.	DN/Size	d/R	Parallel Thread (GAS)	Body	L	D1	D2	Drilling Hole	Flow Sensor Length	Suitable for (*)
WAIXL0	40	-	1 1/4"	316L SS	68.5	33.9	34	34	L0	F & A
WAIXL0	50	-	1 1/4"	316L SS	68.5	33.9	44	44	L0	F & A
WAIXL0	60	-	1 1/4"	316L SS	68.5	33.9	44	44	L0	F & A
WAIXL0	65	-	1 1/4"	316L SS	68.5	33.9	44	44	L0	F & A
WAIXL0	80	-	1 1/4"	316L SS	68.5	33.9	44	44	L0	F & A
WAIXL0	100	-	1 1/4"	316L SS	68.5	33.9	44	44	L0	F & A
WAIXL0	110	-	1 1/4"	316L SS	68.5	33.9	44	44	L0	F & A
WAIXL0	125	-	1 1/4"	316L SS	68.5	33.9	44	44	L0	F
WAIXL0	150	-	1 1/4"	316L SS	68.5	33.9	44	44	L0	F
WAIXL0	175	-	1 1/4"	316L SS	68.5	33.9	44	44	L0	F
WAIXL0	200	-	1 1/4"	316L SS	68.5	33.9	44	44	L0	F
WAIXL0	225	-	1 1/4"	316L SS	68.5	33.9	44	44	L1	F
WAIXL1	250	-	1 1/4"	316L SS	98.5	33.9	44	44	L1	F
WAIXL1	300	-	1 1/4"	316L SS	98.5	33.9	44	44	L1	F
WAIXL1	350	-	1 1/4"	316L SS	98.5	33.9	44	44	L1	F
WAIXL1	400	-	1 1/4"	316L SS	98.5	33.9	44	44	L1	F
WAIXL1	450	-	1 1/4"	316L SS	98.5	33.9	44	44	L1	F
WAIXL1	500	-	1 1/4"	316L SS	98.5	33.9	44	44	L1	F
WAIXL1	600	-	1 1/4"	316L SS	98.5	33.9	44	44	L1	F

(*) Suitable for: F= Flow sensors; A= Analytical electrodes

INSTALLATION FITTINGS



INSTALLATION FITTINGS FOR FLS F3.20



316L SS Weld-on Adapters

Part No.	DN/Size	d/R	Parallel Thread (GAS)	Body	L	D1	D2	Drilling Hole	Flow Sensor Length	Suitable for (*)
WAIXHP	40	-	1 1/4"	316L SS	68,5	34	42,8	34	L0	F
WAIXHP	50	-	1 1/4"	316L SS	68,5	34	42,8	43	L0	F
WAIXHP	60	-	1 1/4"	316L SS	68,5	34	42,8	43	L0	F
WAIXHP	65	-	1 1/4"	316L SS	68,5	34	42,8	43	L0	F
WAIXHP	80	-	1 1/4"	316L SS	68,5	34	42,8	43	L0	F
WAIXHP	100	-	1 1/4"	316L SS	68,5	34	42,8	43	L0	F
WAIXHP	110	-	1 1/4"	316L SS	68,5	34	42,8	43	L0	F
WAIXHP	125	-	1 1/4"	316L SS	68,5	34	42,8	43	L0	F
WAIXHP	150	-	1 1/4"	316L SS	68,5	34	42,8	43	L0	F
WAIXHP	175	-	1 1/4"	316L SS	68,5	34	42,8	43	L0	F
WAIXHP	200	-	1 1/4"	316L SS	68,5	34	42,8	43	L0	F

INSTALLATION FITTINGS

(*) Suitable for: F= Flow sensors; A= Analytical electrodes



USKON AKIŞKAN KONTROL SİSTEMLERİ SANAYİ VE TİCARET LTD. ŞTİ.

Kemankeş Kara MustafaPaşa Mah. Ağaç Tulumba Sok. No: 4/A Karaköy / İstanbul Tel: +90 (212) 251 05 05 Fax: +90 (212) 251 05 79 info@us-kon.com.tr