



Description

Bass Instruments PSDB series flowmeters operate according to the variable area principle where a float is suspended in upward flowing media in a tapered plastic tube.

The vertical position of the float within the metering tube depends on the flowrate of the media. The metering tube is graduated in suitable flow units (normally with 10:1 flow range) and the reading is taken in correspondence with the top edge of the float.



Flow Range and Specifications

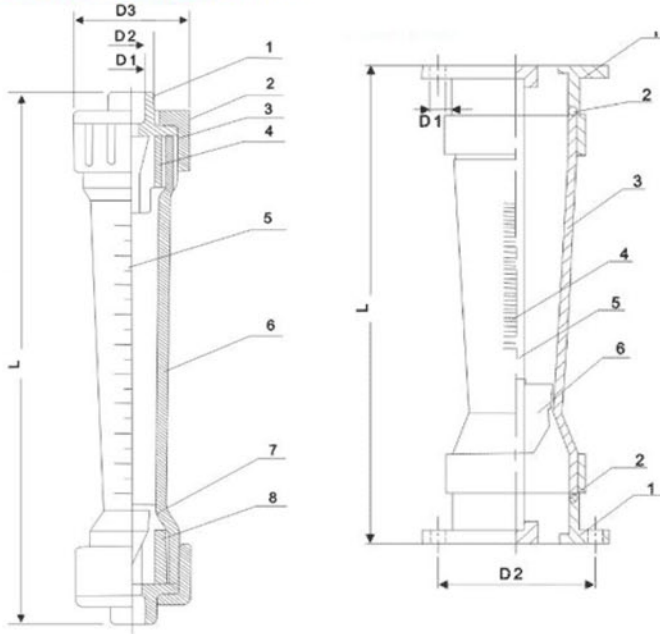
DN	Measuring Range (m ³ /h)		Accuracy	Process Limits		Materials
	Long Tube	Short Tube		Temperature (°C)	Pressure (bar)	
15	10-100l/h 16-160l/h 25-250l/h 40-400l/h 60-600l/h	5-50l/h	<±4%	0-60	<= 6	Flow Tube : AS Connection : ABS Float : ABS Orings : Rubber Guider : AISI304
		10-100l/h				
		16-160l/h				
		25-250l/h				
		40-400l/h				
		50-500l/h				
25	100-1000 l/h 160-1600 l/h 250-2500 l/h	60-600l/h				
		100-1000l/h				
		100-1000 l/h 160-1600 l/h 250-2500 l/h				
32		0,4 – 4 0,6 – 6				
50	0,4 – 4 0,6 – 6 1 – 10 1,6 – 16	1 – 10 1,6 – 16				
65		5 – 25 8 – 40 12 – 60				
100		18 – 120 *				

* Only flanged connection





Overall Dimensions



Threaded Connection

Flanged Connection

Size	Dimensions (mm)							
	Long Tube				Short Tube			
	L	D1	D2	D3	L	D1	D2	D3
15	280	20	26	45	202	20	26	45
25	380	32	39	68	226	32	39	60
32					288	40	49,5	74
50	430	63	73	98	341	63	73	98
65					430	75	88	122
100	550	17	175		510	18	180	

Ordering

PSDB.					Description
Size	15	SG	NN	S	DN15
	25				DN25
	32				DN32
	50				DN50
	65				DN65
	100				DN100 (only flanged)
Connection	DB		1R	L	Solvent welding
					2R
Output					None
					One relay output
					Two relay output
Tube					Short Tube
					Long Tube
Flow Range					Please fill out directly. e.g. 1000L means 100-1000 l/h 004M means 0,4-4 m3/h

