

## pressure transmitters for general purpose

Accuracy 0,5% - 0,2% as optional

### MPS300 Series



#### Description

MPS300 series pressure transmitters are suitable for liquids, gas pressure measuring and controlling in the moderate media, with sensor probe working very well with long term stability at the high temperature of 125°C

The measuring ranges, graded in accordance with EN, range from -1 bar to the maximum pressure range of 1000 bar. The case and wetted parts comprise stainless steel and are thus resistant to chemically aggressive media. The pressure connection and measuring element are welded together, making the measuring system particularly resistant to mechanical shock or vibration.

#### Features

- Compact design
- Protection type IP 65 or IP67 as optional
- Corrosion resistant stainless steel design
- Wide Measuring Range
- Simple Installation
- Various Output Signal

#### Measuring Ranges

Code	Range	Code	Range	Code	Range
		<b>010</b>	0...1,6 Bar	<b>019</b>	0...100 Bar
		<b>011</b>	0...2,5 Bar	<b>020</b>	0...160 Bar
		<b>012</b>	0...4 Bar	<b>021</b>	0...250 Bar
<b>004</b>	0...100 mBar	<b>013</b>	0...6 Bar	<b>022</b>	0...400 Bar
<b>005</b>	0...160 mBar	<b>014</b>	0...10 Bar	<b>023</b>	0...600 Bar
<b>006</b>	0...250 mBar	<b>015</b>	0...16 Bar	<b>024</b>	0...1000 Bar
<b>007</b>	0...400 mBar	<b>016</b>	0...25 Bar		
<b>008</b>	0...600 mBar	<b>017</b>	0...40 Bar		
<b>009</b>	0...1 Bar	<b>018</b>	0...60 Bar	<b>XXX</b>	Special Ranges

# MPS300 Series

## Technical Specification

### Accuracy

±0.5% FS for MPS300  
±0.2% FS for MPS301

### Overpressure

Full scale ranges up to 16 bar – 2,5x  
Above 16 to 600 bar - 2x  
Above 600 bar – 1,5x

### Operating Temperature Range

-40° to +125° C

### Compensated Temperature Range

-10° to + 125° C

### Electrical

2-wire, 4-20 mA, 10-36 Vdc power  
Option : 0-5 VDC or 0-10 VDC\*  
\*Supply should be 14 VDC min.

### Approval

2004/108/EC , EN 61326-1, 10/2006 ,  
EN 61326-2-3, 05/2007 , 2006/95/EC

### Body

Wetted Parts are Stainless Steel AISI 316L  
Body tube is AISI304. Other, on request

### Electrical Connection

DIN 43650A or cable connection, others are optional

### Protection Degree

IP65, IP67 and IP68 as optional

### Process Connection

1/4" NPT or G, (please consult factory for others)

### Hysteresis, Repeatability

0,05% of FS

### Stability

0,15% of FS/year

### Response Time

4 mSec.

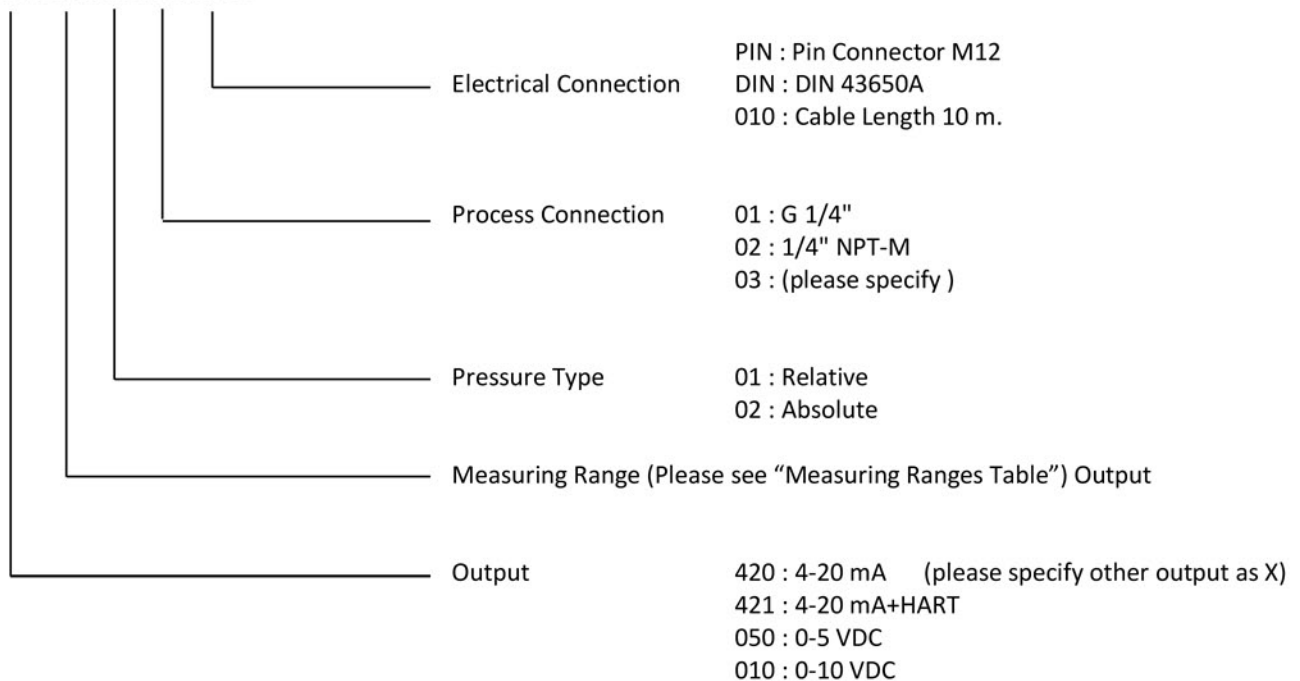
### Vibration and shock limits

20g, 20...5000 Hz – 100g, 11 mSec.

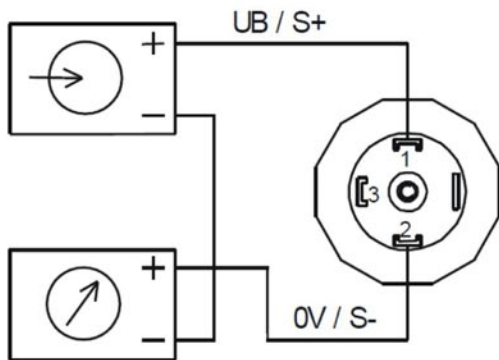
## Ordering

MPS300 . XXX . XX . XX . XX . XXX

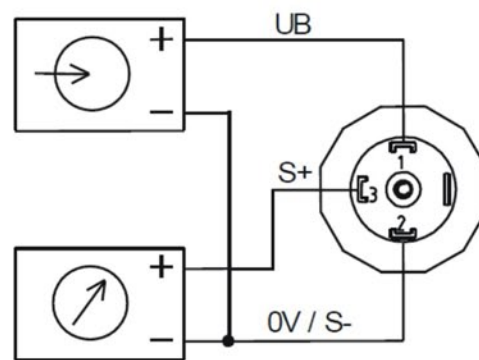
MPS301.



## Wiring



4-20 mA, 2 wire



0-10 VDC

## Dimensions

