

Description

EAP series quarter-turn electric actuators are used for controlling 0~90° turn valves such as butterfly, ball, plug valves and dampers etc.

Product Ordering

EAP - XXX - X X X X

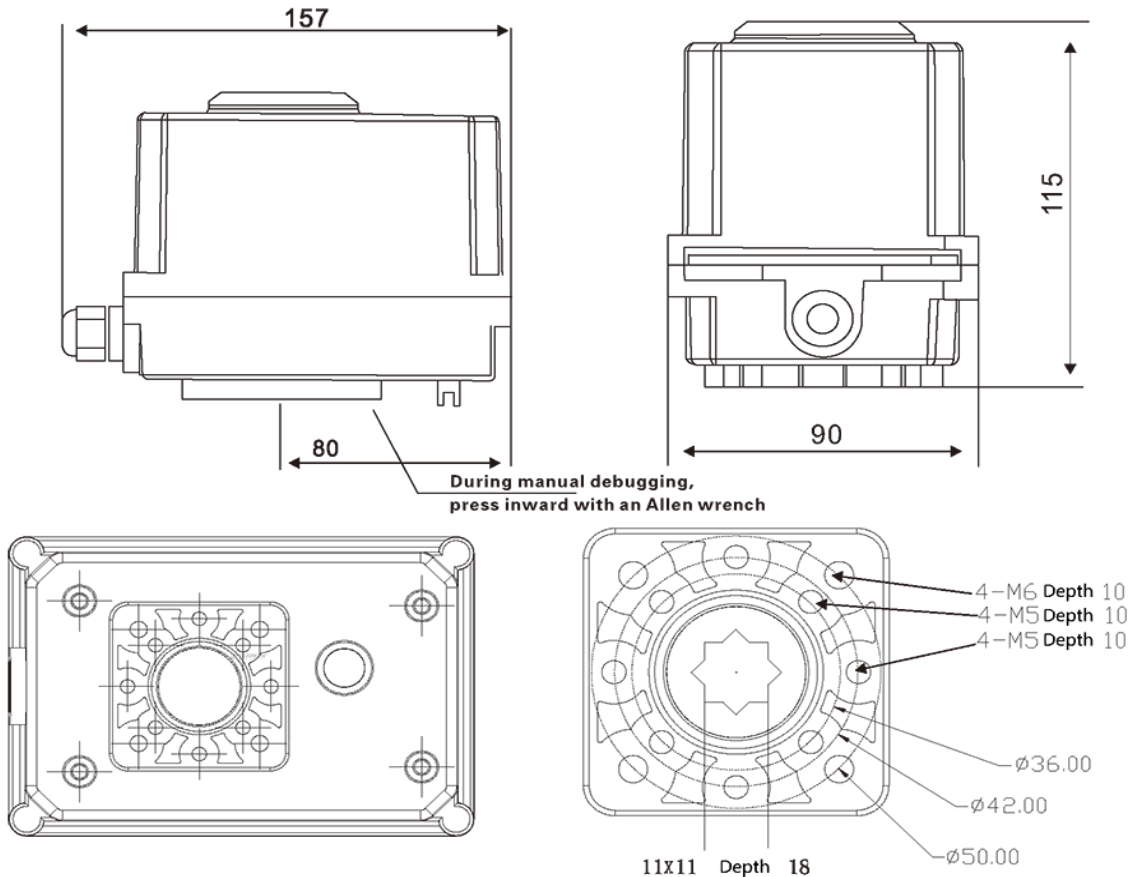
- 003:** 30Nm
- 1:** 90° turn
- 1:** On/Off
- 1:** 220VAC
- 2:** 24VDC
- 1:** Weatherproof (IP67)



Technical Parameters and Specifications

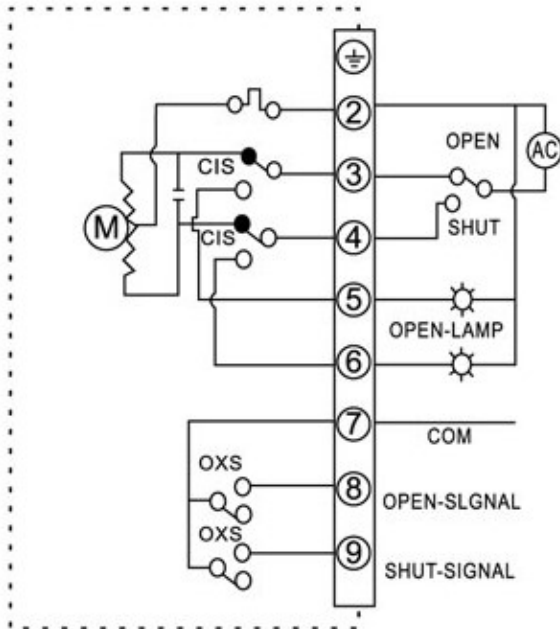
Model	Voltage	Max Output Torque (N.m)	Operating Time	Drive Shaft (mm)	Flange Size	Motor (W)	Current (Amps)	Weight (kg)
EAP-003-1111	220VAC	30 Nm	5 - 15 secs	11x11	F03/04/05	20	0.2	1.45
EAP-003-1211	24VDC	30 Nm	5 - 15 secs	11x11	F03/04/05	20	0.15	1.45

Dimensions (mm)

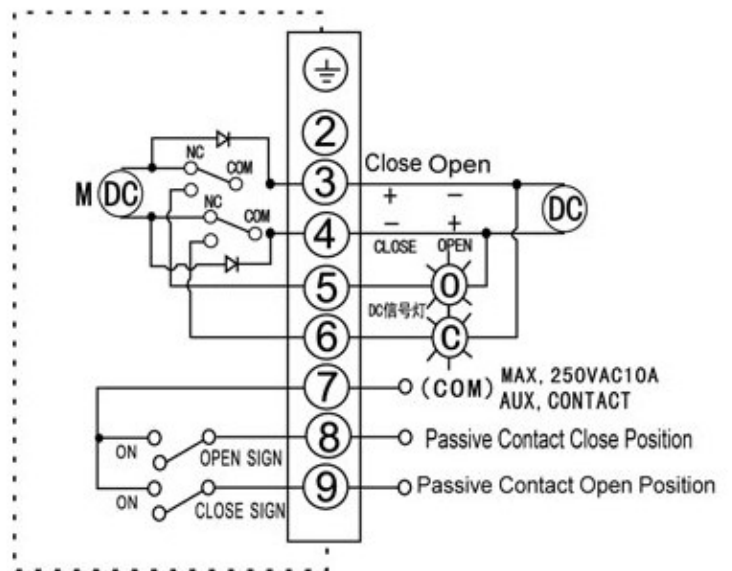


Electrical Wiring

220VAC Wiring



24VDC Wiring



Adjustment of Limit Switch

