

PS2000W

# PRESSURE SWITCH NEMA 4, 4X, IP65

## PS2000W

**Proof Pressure to 4000psi**  
**Adjustable Ranges: 10~2400psi**  
**Temperature: -25 to 205°C**

The New-Flow PS2000W, a water proof pressure switch, is designed to be used in control systems. PS2000W has high set point repeatability and narrow dead band features. A variety of range selections are available upon request. Easily adjusted to the set point, and no special tools needed!

### Technical Data

**Switch Data:** one SPDT & two SPDT Microswitch, 15amps 125/250VAC, Gold Contact Microswitch 1A 125/250VAC

**Housing:** die cast aluminum alloy with paint

**Conduit Connection:** 3/4" or 1/2" NPT Female

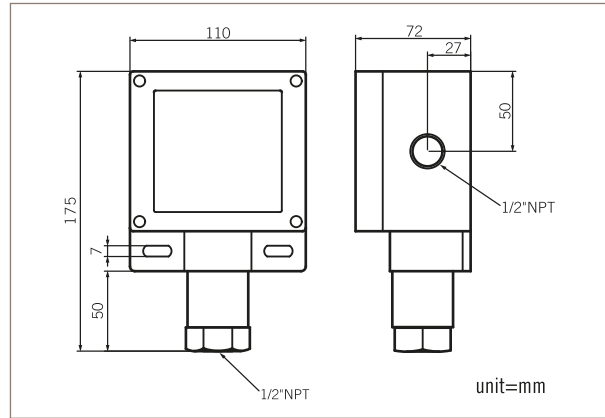
**Pressure Element:** welded type diaphragm

**Process Materials:** wetted parts all in SS316

**Process Connection:** 1/2" or 1/4" NPT Female



### Dimensions



### Range Selection Table

Code	Adjustable Range	Dead Band	Maximum Pressure Proof
10R	10~100psi	2.8~6.4	3000psi
20R	35~200psi	4.3~7.0	3000psi
30R	50~300psi	4.3~7.0	3000psi
60R	100~600psi	5.0~15	3000psi
130R	100~1300psi	14.2~56.8	3000psi
240R	300~2400psi	14.2~71	4000psi

### Ordering Information

PS2000W	Code	Range							
		10R	10~100psi	20R	35~200psi	30R	50~300psi	60R	100~600psi
		130R	100~1300psi	240R	300~2400psi				
		<b>Code</b>	<b>Wetted Material</b>						
		A	SS316						
		<b>Code</b>	<b>Process Connection</b>						
			(1) 1/2" NPT Female (2) 1/4" NPT Female						
		<b>Code</b>	<b>Conduit Connection</b>						
			(E) 3/4" NPT Female (F) 1/2" NPT Female, standard						
		<b>Code</b>	<b>Switch Form</b>						
		1	One SPDT						
		2	Two SPDT (one setting point)						
		3	Gold Contact (SPDT)						
PS2000W									Complete Ordering Code

WWW.NEW-FLOW.COM • TEL: 886-7-8135500 • FAX: 886-7-8225588 • Email: info@new-flow.com

