

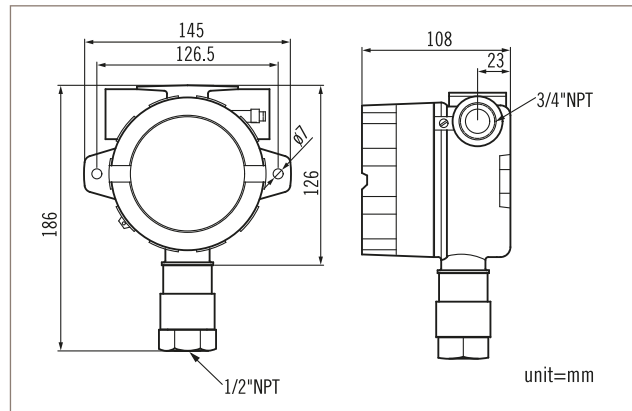
PRESSURE SWITCH EXPLOSION PROOF TYPE PS2000X

**CLASS I, GROUPS A, B, C, D;
CLASS II, GROUPS E, F, G; NEMA 4X**
Proof Pressure to 4000psi
Adjustable Ranges: 10~2400psi
Temperature: -25 to 205°C

The New-Flow PS2000X, an explosion proof pressure switch, is designed to be used in control systems. PS2000X has high set point repeatability and narrow dead band features. A variety of range selections are available upon request. Easily adjusted to the set point, and no special tools needed!



Dimensions



Technical Data

Switch Data: one SPDT & two SPDT Microswitch, 15amps 125/250VAC, Gold Contact Microswitch 1A 125/250VAC
Housing: die cast aluminum alloy with paint
Conduit Connection: 3/4" or 1/2" NPT Female
Pressure Element: welded type diaphragm
Process Materials: wetted parts all in SS316
Process Connection: 1/2" or 1/4" NPT Female

Range Selection Table

Code	Adjustable Range	Dead Band	Maximum Pressure Proof
10R	10~100psi	0.9~2.1	3000psi
20R	35~200psi	1.4~5.4	3000psi
30R	50~300psi	1.4~6.9	3000psi
60R	100~600psi	1.7~15.1	3000psi
130R	100~1300psi	5.5~15	3000psi
240R	300~2400psi	19.6~39.5	4000psi

Ordering Information

PS2000X	Code	Range							
		10R	10~100psi	20R	35~200psi	30R	50~300psi	60R	100~600psi
		130R	100~1300psi	240R	300~2400psi				
	Code	Wetted Material							
	A	SS316							
	Code	Process Connection							
		(1) 1/2" NPT Female (2) 1/4" NPT Female							
	Code	Conduit Connection							
		(E) 3/4" NPT Female, standard (F) 1/2" NPT Female							
	Code	Switch Form							
	1	One SPDT							
	2	Two SPDT (one setting point)							
	3	Gold Contact (SPDT)							
PS2000X									Complete Ordering Code