

MINIATURE TURBINE FLOWMETER

FMTD-015-...

Housing : IP68
Conformity : CE, RoHS, WEEE

Description

The Bass Instruments Flowmeter FMTD series is designed for measure and monitor liquids. The FMTD Flowmeter is a general-purpose device; specially for higher throughputs of up to approx.33 l/min. It is employed for measuring, regulating or metering and guarantees most precise measurement of fluid quantities. In addition, a pulse generator integrated into the flowmeter guarantees a practically unlimited useful life.



Technical Data

Wetted part material	: ABS plastic	Max. Rated Current	: 8 mA
Size	: G1/2"	Humidity	: 90 %
Magnets	: Ferrit	Repeatability	: Better than 0,5 %
Working temperature	: -25°C...+120°C	Electrical Connection	: 1m or 3 m cable
Working pressure	: 20 bar max.	Viscosity	: up to 20 cSt max.
Output	: Pulse, ops. Analog	Inlet Diameter	: 8,5 mm
Power Supply	: 4,5...24 VDC	Outlet Diameter	: 12 mm
Accuracy	: % 1	Housing	: IP68

Applications

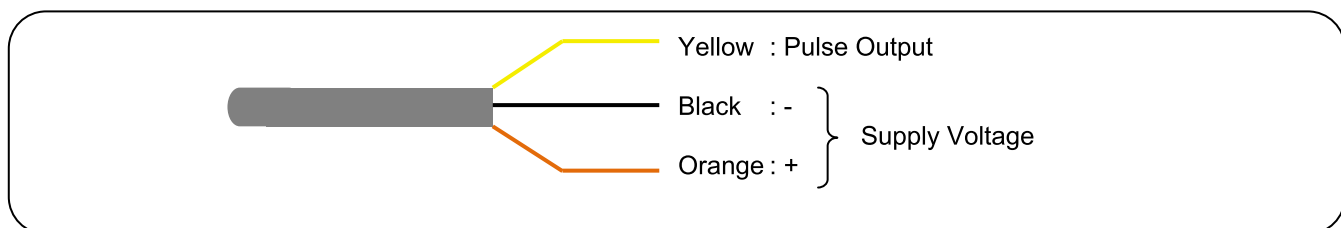
- | | |
|---|---|
| <input type="checkbox"/> Smart Drinking Fountains | <input type="checkbox"/> Beverage Industry |
| <input type="checkbox"/> Water Wending Machine | <input type="checkbox"/> Other Liquid Filling Machine |
| <input type="checkbox"/> Tea and Coffee Machine | <input type="checkbox"/> Water Purifier |

Ordering Codes

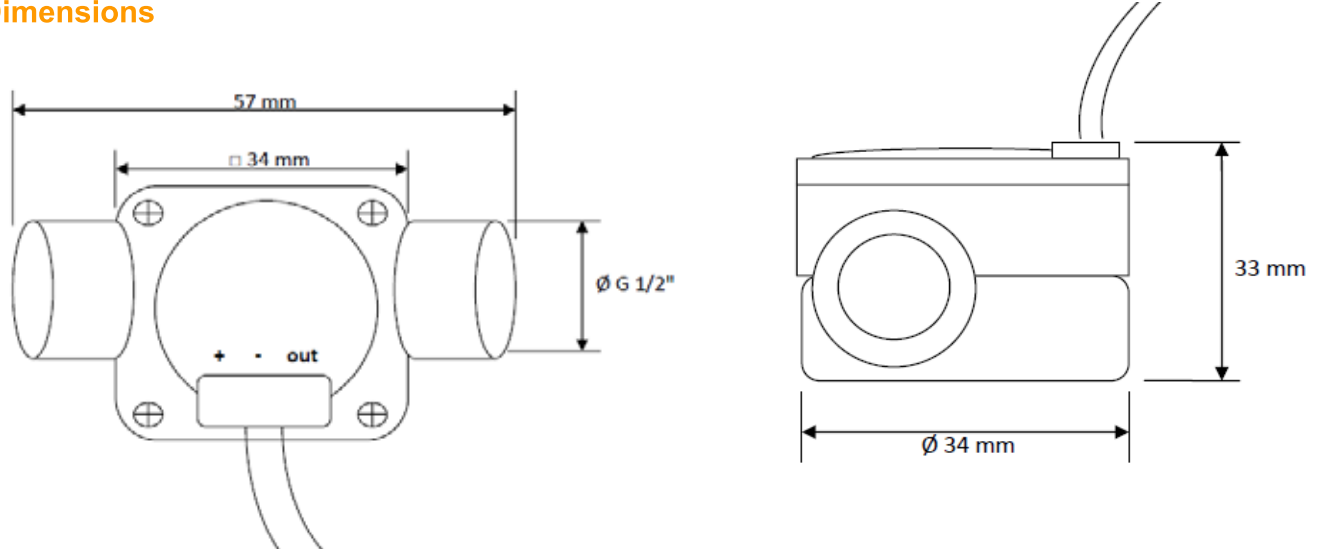
Type	Range	Cable Length	Output	Factor
FMTD-015-01-F	1...33 l/min	1 m.	Pulse	340 pulse/l*
FMTD-015-03-F	1...33 l/min	3 m.	Pulse	340 pulse/l*
FMTD-015-01-A	1...33 l/min	1 m.	Analog	4...20 mA
FMTD-015-03-A	1...33 l/min	3 m.	Analog	4...20 mA

*approx.

Electrical Connection



Dimensions



Accessories



36x72 mm rate or total
Flow indicator LED
(Panel Mounting)



72x72 mm rate or total
Flow indicator LED
(Panel Mounting)



72x72 mm rate and total
Flow indicator LED
(Panel Mounting)



Rate or total Flow indicator
LCD (Panel and wall mounting)