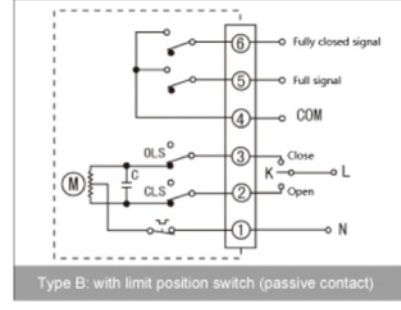
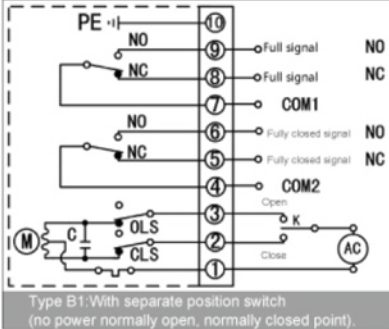


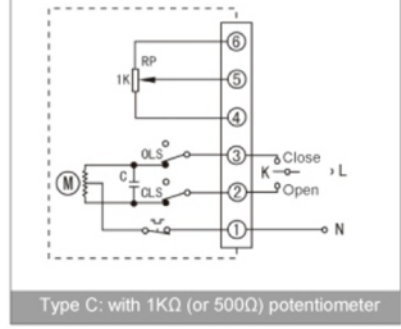
Type A: Limit position switch (active contact)



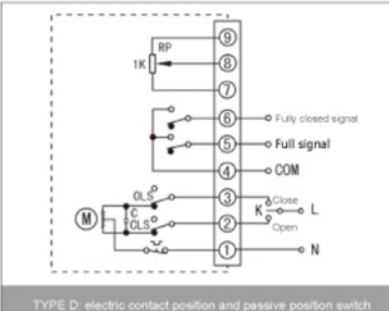
Type B: with limit position switch (passive contact)



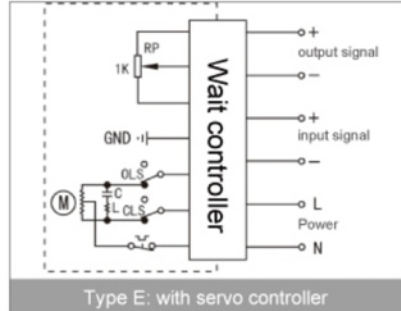
Type B1: With separate position switch  
(no power normally open, normally closed point)



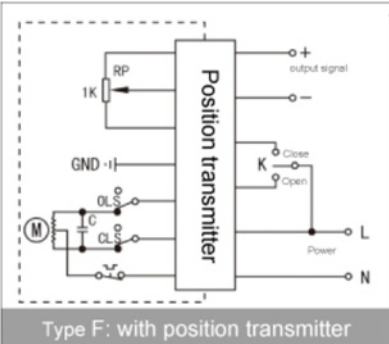
Type C: with 1KΩ (or 500Ω) potentiometer



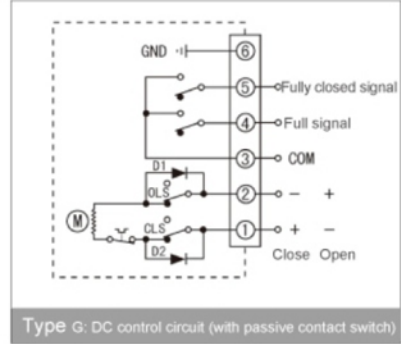
TYPE D: electric contact position and passive position switch



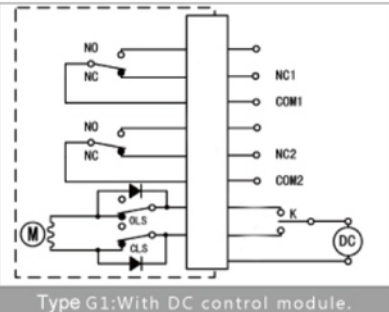
Type E: with servo controller



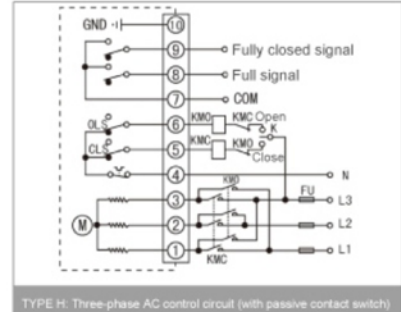
Type F: with position transmitter



Type G: DC control circuit (with passive contact switch)



Type G1: With DC control module.



TYPE H: Three-phase AC control circuit (with passive contact switch)

Note: The dashed box within the implementing agencies within the circuit, dotted the external circuit is for reference only