

## pressure transmitters for general purpose

Accuracy 0,5%

### MPS500 Series



#### Description

MPS500 series pressure transmitters are suitable for liquids, gas pressure measuring and controlling in the moderate media, with sensor probe working very well with long term stability at the high temperature of 85°C

The measuring ranges, graded in accordance with EN, range from -1 bar to the maximum pressure range of 2500 bar. The case and wetted parts comprise stainless steel and are thus resistant to chemically aggressive media. The pressure connection and measuring element are welded together, making the measuring system particularly resistant to mechanical shock or vibration.

#### Features

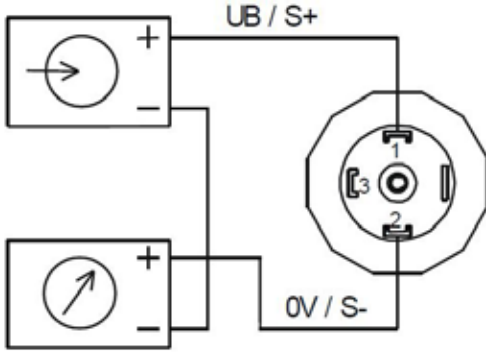
- Compact design
- Protection type IP 65 or IP67 as optional
- Corrosion resistant stainless steel design
- Wide Measuring Range
- Simple Installation
- Various Output Signal

#### Measuring Ranges

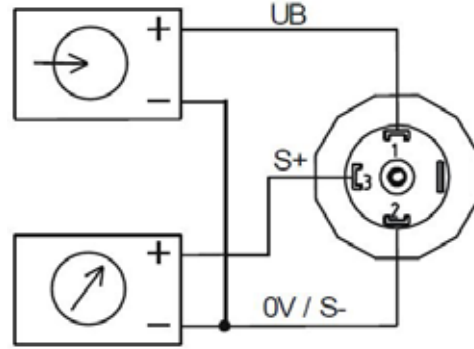
Code	Range	Code	Range	Code	Range
001	0...25 mBar	010	0...1,6 Bar	019	0...100 Bar
002	0...40 mBar	011	0...2,5 Bar	020	0...160 Bar
003	0...60 mBar	012	0...4 Bar	021	0...250 Bar
004	0...100 mBar	013	0...6 Bar	022	0...400 Bar
005	0...160 mBar	014	0...10 Bar	023	0...600 Bar
006	0...250 mBar	015	0...16 Bar	024	0...1000 Bar
007	0...400 mBar	016	0...25 Bar	025	0...1600 Bar
008	0...600 mBar	017	0...40 Bar	026	0...2500 Bar
009	0...1 Bar	018	0...60 Bar	XXX	Special Ranges



## Wiring



4-20 mA, 2 wire



0-10 VDC

## Dimensions

