

pressure transmitters for high viscous media – flush diaphragm

Accuracy 0,5%

MPS530 Series



Description

MPS530 series pressure transmitters are suitable for liquids, dirty fluids pressure measuring and controlling in the moderate and high viscous media, with sensor probe working very well with long term stability at the high temperature of 125°C

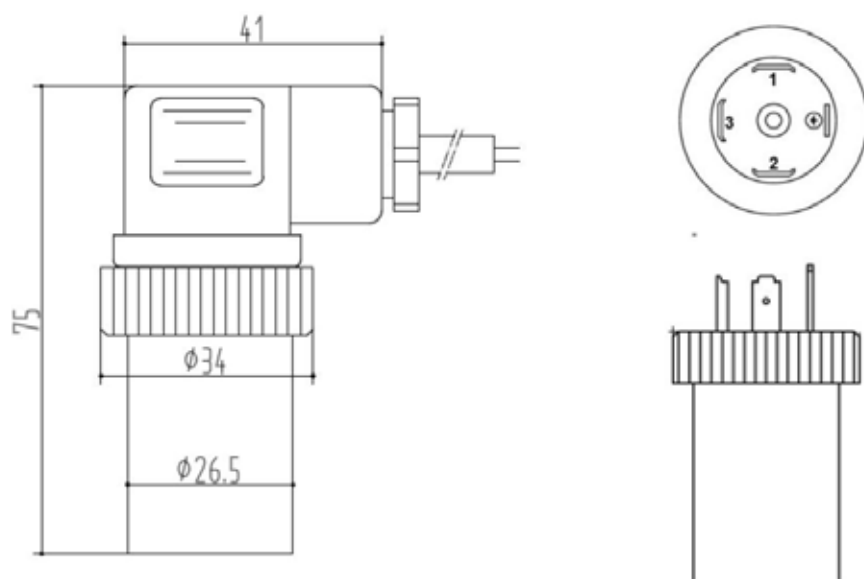
The measuring ranges, graded in accordance with EN, range from -1 bar to the maximum pressure range of 400 bar. The case and wetted parts comprise stainless steel and are thus resistant to chemically aggressive media. The pressure connection and measuring element are welded together, making the measuring system particularly resistant to mechanical shock or vibration.

- Compact design
- Protection type IP 65 or IP67 as optional
- Corrosion resistant stainless steel design
- High viscosity resistance
- Wide Measuring Range
- Simple Installation
- Flush Diaphragm
- Various Output Signal

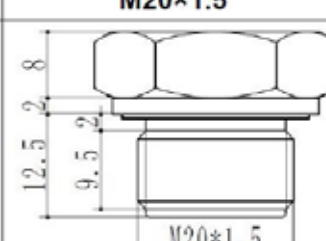
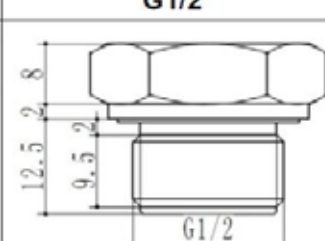

Measuring Ranges

Code	Range	Code	Range	Code	Range
001	0...25 mBar	010	0...1,6 Bar	019	0...100 Bar
002	0...40 mBar	011	0...2,5 Bar	020	0...160 Bar
003	0...60 mBar	012	0...4 Bar	021	0...250 Bar
004	0...100 mBar	013	0...6 Bar	022	0...400 Bar
005	0...160 mBar	014	0...10 Bar	XXX	Special Ranges
006	0...250 mBar	015	0...16 Bar		
007	0...400 mBar	016	0...25 Bar		
008	0...600 mBar	017	0...40 Bar		
009	0...1 Bar	018	0...60 Bar		

Wiring and Dimensions



2 wire	Pin 1	+Excitation
	Pin 2	+output
	Pin 3	pending
3 wire	Pin 1	+Excitation
	Pin 2	-Excitation
	Pin 3	+Output

Thread	M20×1.5	G1/2	G1
Dimension in			
mm			
Hex 27mm			