

differential pressure transmitters for general purpose

Accuracy 0,25%

MPS550 Series



Description

MPS550 series pressure transmitters are suitable for liquids, gas pressure measuring and controlling in the moderate media, with sensor probe working very well with long term stability at the high temperature of 125°C

The measuring ranges from 0 to 400 mbar to the maximum pressure range of 25 bar. The case and wetted parts comprise stainless steel and are thus resistant to chemically aggressive media. The pressure connection and measuring element are welded together, making the measuring system particularly resistant to mechanical shock or vibration.

Measuring Ranges

Code	Range DP	Overpressure Range
007	0...400 mBar	800 mBar
008	0...600 mBar	1500 mBar
009	0...1 Bar	2 bar
010	0...1,6 Bar	5 bar
011	0...2,5 Bar	5 bar
012	0...4 Bar	8 bar
013	0...6 Bar	12 bar
014	0...10 Bar	20 bar
015	0...16 Bar	32 bar
016	0...25 bar	50 bar
XXX	Please specify	

Features

- Compact design
- Protection type IP 65 or IP67 as optional
- Corrosion resistant stainless steel design
- Wide Measuring Range
- Simple Installation
- Various Output Signal

Applications

- Pump Test
- Filtration
- Level Measurement
- Pressure Loss Measurement
- Water Treatment
- Textile Machines



MPS550 Series

Technical Specification

Accuracy

±0.25% FS

Overpressure

Please see measuring Ranges

“Please call us for high static pressure”

Operating Temperature Range

-40° to +125° C

Compensated Temperature Range

0° to + 60° C

Electrical

2-wire, 4-20 mA, 10-36 Vdc power

Option : 0-5 VDC or 0-10 VDC*

*Supply should be 14 VDC min.

Body

Stainless Steel AISI 304,diaphragm AISI316L

Other,on request

Electrical Connection

DIN 43650A or cable connection

Protection Degree

IP65,IP67 as optional

Process Connection

1/2"NPT or G

Hysteresis,Repeatability

0,05% of FS

Stability

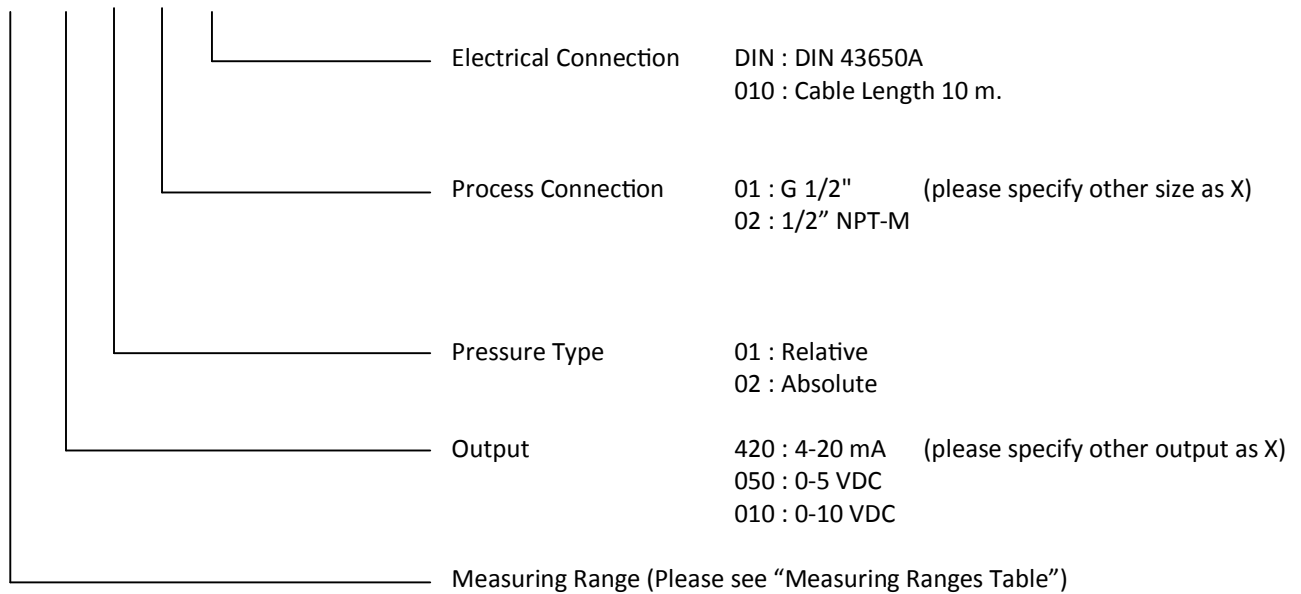
0,1% of FS/year

Zero Balance

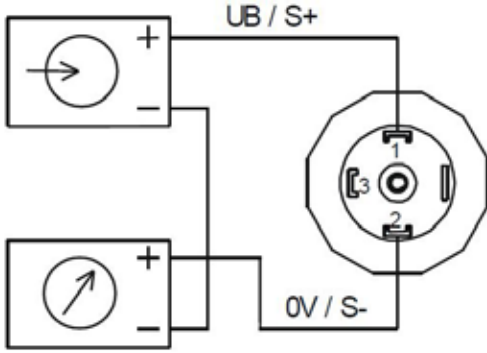
+/- 5 % full scale

Ordering

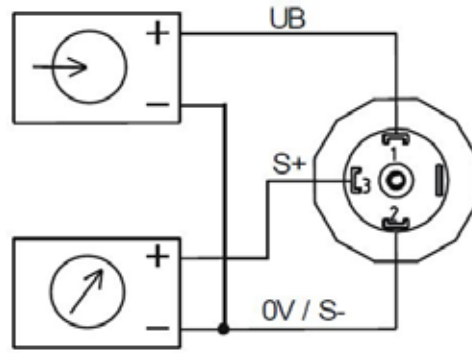
MPS550 . XXX . XX . XX . XX . XXX



Wiring



4-20 mA, 2 wire



0-10 VDC

Dimensions

