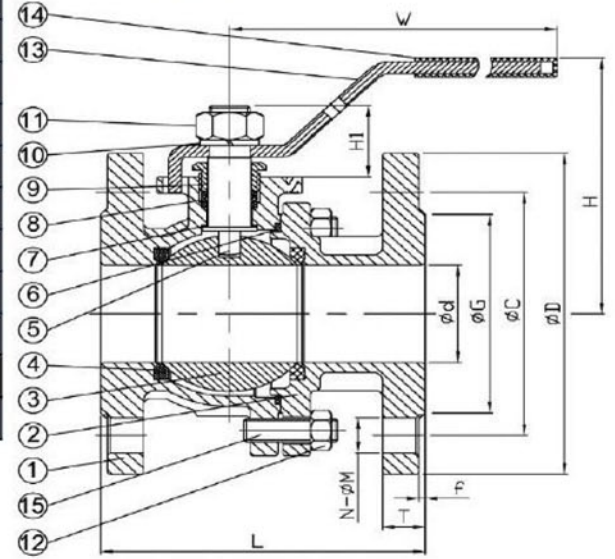




No	Part	Material
1	Body	Stainless Steel AISI 304
2	Cap	Stainless Steel AISI 304
3	Ball	Stainless Steel AISI 304
4	Seat	PTFE
5	Stem	Stainless Steel AISI 304
6	Gasket	PTFE
7	Thrust Washer	PTFE
8	Packing	PTFE
9	Gland	Stainless Steel AISI 304
10	Spring Washer	Stainless Steel AISI 304
11	Stem Nut	Stainless Steel AISI 304
12	Nut	Stainless Steel AISI 304
13	Handle	Stainless Steel AISI 304
14	Plastic Cover	Plastic
15	Bolt	Stainless Steel AISI 304



DN	D	C	L	G	nxd	H	W	ISO 5211	Weight (Kg)
15	95	65	115	45	4x14	76	150	F04	1,8
20	105	75	120	58	4x14	78	150	F04	2,6
25	115	85	125	68	4x14	90	180	F05	4,0
32	140	100	130	78	4x18	94	180	F05	5,3
40	150	110	140	88	4x18	124	244	F07	6,2
50	165	125	150	102	4x18	132	244	F07	9,0
65	185	145	170	122	4x18	170	285	F10	13,5
80	200	160	180	138	8x18	180	285	F10	17,2
100	220	180	190	158	8x18	194	285	F10	24,0
125	250	210	325	188	8x18	225	750	F12	46,0
150	285	240	350	212	8x22	275	750	F12	60,0
200	340	295	400	268	12x22	340	1000	F12	150,0