



mesens

pressure transmitters for hazardous area

Ex ia II C T4

Accuracy 0,5%

MPS540 Series



Description

MPS540 series pressure transmitters are suitable for liquids, gas pressure measuring and controlling in the moderate media, with sensor probe working very well with long term stability at the high temperature of 85°C for hazardous area

The measuring ranges, graded in accordance with EN, range from -1 bar to the maximum pressure range of 1000 bar. The case and wetted parts comprise stainless steel and are thus resistant to chemically aggressive media. The pressure connection and measuring element are welded together, making the measuring system particularly resistant to mechanical shock or vibration.

Features

- Compact design
- Protection type IP 65 or IP67 as optional
- Corrosion resistant stainless steel design
- Wide Measuring Range
- Simple Installation
- Various Output Signal

Measuring Ranges

Code	Range	Code	Range	Code	Range
001	0...25 mBar	010	0...1,6 Bar	019	0... 100 Bar
002	0...40 mBar	011	0...2,5 Bar	020	0... 160 Bar
003	0...60 mBar	012	0...4 Bar	021	0...250 Bar
004	0...100 mBar	013	0...6 Bar	022	0...400 Bar
005	0...160 mBar	014	0...10 Bar	023	0...600 Bar
006	0...250 mBar	015	0...16 Bar	024	0...1000 Bar
007	0...400 mBar	016	0...25 Bar	025	0...1600 Bar
008	0...600 mBar	017	0...40 Bar	026	0...2500 Bar
009	0...1 Bar	018	0...60 Bar	XXX	Special Ranges



USKON AKIŞKAN KONTROL SİSTEMLERİ SANAYİ VE TİCARET LTD. ŞTİ.

Kemankeş Kara MustafaPaşa Mah. Ağaç Tulumba Sok. No: 4/A Karaköy / İstanbul Tel: +90 (212) 251 05 05 Fax: +90 (212) 251 05 79 info@us-kon.com.tr

MPS540 Series

Technical Specification

Accuracy

±0.5% FS

Overpressure

Full scale ranges up to 16 bar – 2,5x

Above 16 to 600 bar - 2x

Above 600 bar – 1,5x

Operating Temperature Range

-20° to +85° C

Compensated Temperature Range

-20° to + 85° C

Electrical

2-wire, 4-20 mA, 10-32 Vdc power

Option : 0-5 VDC or 0-10 VDC*

*Supply should be 14 VDC min.

Body

Stainless Steel AISI 304

Other, on request

Electrical Connection

DIN 43650A or cable connection

Protection Degree

IP65, IP67 as optional

Process Connection

1/4", 1/2", 3/4", 1" NPT or G

Hysteresis, Repeatability

0,05% of FS

Stability

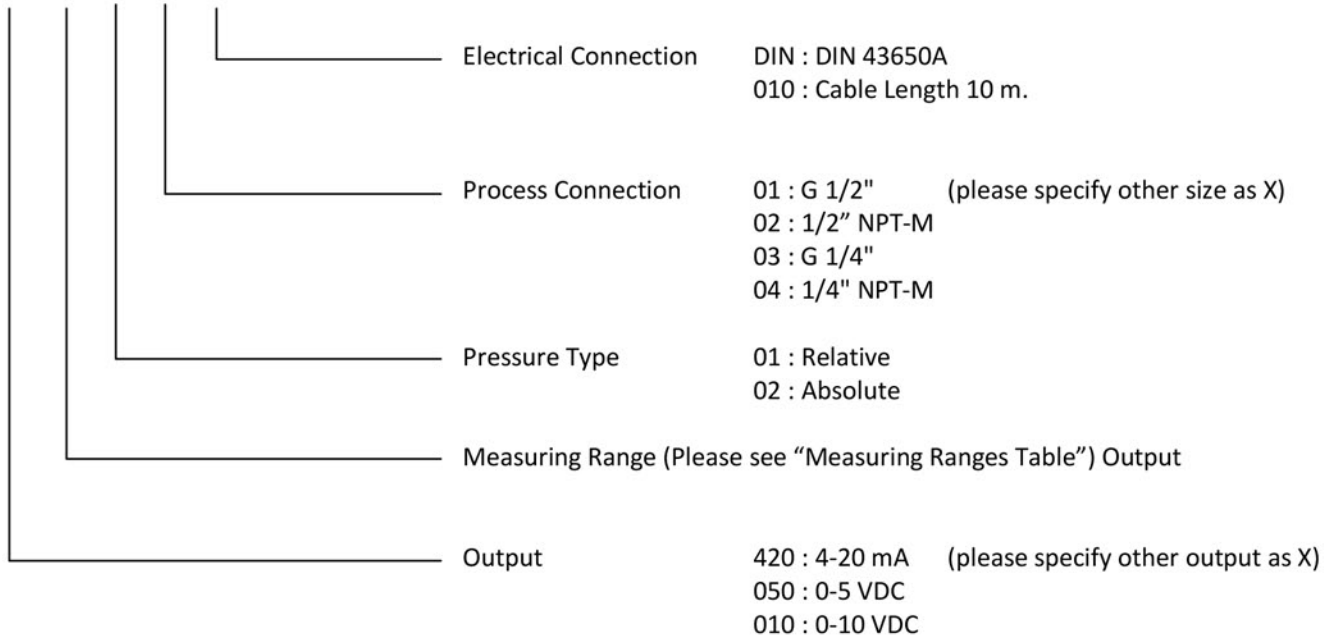
0,2% of FS/year

Zero Balance

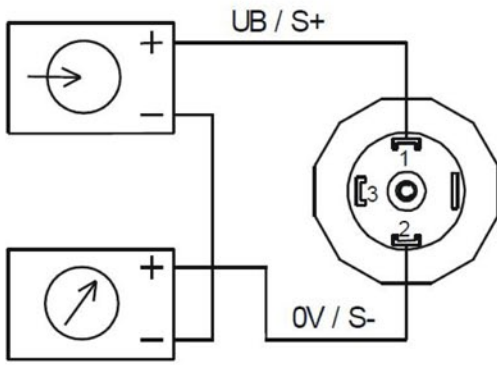
+/- 5 % full scale

Ordering

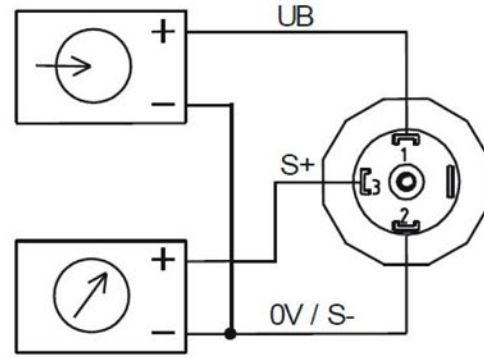
MPS540 . XXX . XX . XX . XX . XXX



Wiring

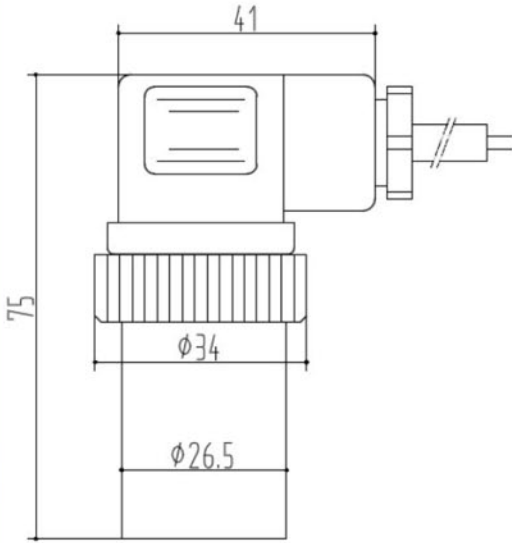


4-20 mA, 2 wire

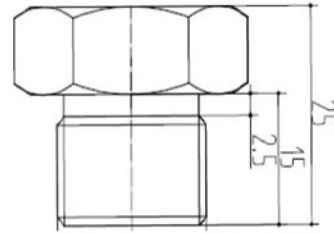


0-10 VDC

Dimensions



In mm



Hazardous Specification

U _i	: 28V DC	C _i	: 0,033 μ F
I _i	: 93 mA	L _i	: 0 mH
P _i	: 0,63 mW		