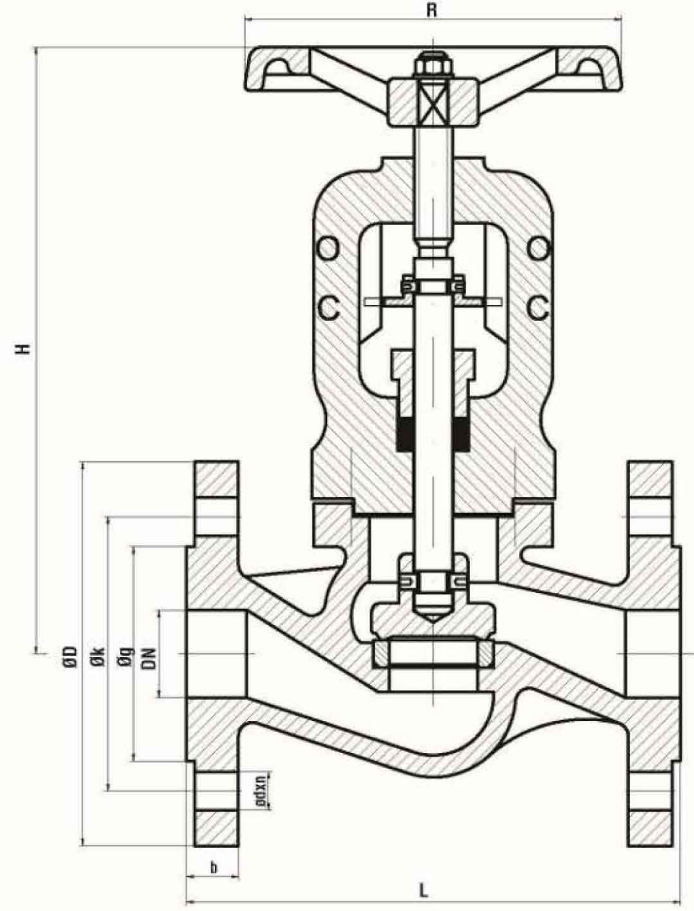


GLOB VANA

GLOBE VALVE



NO	PARÇA ADI	PART NAME	MATERIAL
1	GÖVDE	BODY	GGG40.3/GG25
2	SİT	SEAT	RG5 / 304
3	MİL	STEM	AISI 420 / MS58
4	İNDİKATÖR	INDICATOR	ST37
5	KAPAK	BONNET	GGG40.3
6	KLAPE	DISC	RG5 / 304
7	CONTA	GASKET	KLINGRIT
8	SETSKUR	SCREW	AISI 304
9	SALMASTRA	PACKING	GRAPHITE
10	GLEN	GLAND	GGG40.3
11	T CİVATA	T BOLT	6.8 STEEL
12	CİVATA	BOLT	8.8 STEEL
13	HENDİL	HANDWHEEL	GG25
14	SOMUN & PUL	NUT & WASHER	STEEL

DN	ØD	Øk	Øg	L	b	ØR	H	STROK	Ødxn	KG
15	95	65	45	130	14	110	215	9	14x4	4,7
20	105	75	58	150	16	110	215	9	14x4	5,5
25	115	85	68	160	16	110	218	12	14x4	6,6
32	140	100	78	180	18	140	220	13	18x4	8,4
40	150	110	88	200	18	140	245	15	18x4	11,1
50	165	125	102	230	20	160	252	20	18x4	14,5
65	185	145	122	290	20	160	280	22	18x4	19,5
80	200	160	138	310	22	200	310	25	18x8	24,5
100	220	180	158	350	24	220	360	30	18x8	36,7
125	250	210	188	400	26	250	420	34	18x8	55
150	285	240	212	480	26	300	498	42	22x8	77,5
200	340	295	268	600	30	400	550	55	22x12	140
250	405	355	320	730	32	500	585	65	26x12	200
300	460	410	370	850	32	500	640	78	26x12	250
350	520	470	430	980	36	500	875	100	26x16	392
400	580	525	482	1100	38	500	955	115	29,5x16	394

UYGULAMA ALANLARI / USE OPERATING

DENİZ SUYU, TATLI SU, YAĞ VE 120°C KADAR BUHAR DEVRELERİNDE
SEA WATER, FRESH WATER, OIL AND STEAM UP TO 120°C SYSTEMS

ÇALIŞMA ŞARTLARI / WORKING CONDITIONS: DIN 2401

BAĞLANTILAR / ENDS; DIN 1092-2

ÇALIŞMA SICAKLIĞI / WORKING TEMP.: -10°C / 120°C

ÇALIŞMA BASINCI / WORKING PRESSURE : PN16

RENKLER / COLORS

PİK DÖKÜM VANALAR / GREY CAST IRON VALVES : MAVİ / BLUE

SFERO DÖKÜM VANALAR / DUCTILE IRON VALVES : ZEYTİN YEŞİL / OLIVE GREY

SERTİFİKALI VANALAR / CERTIFICATE VALVES : LACİVERT / ULTRAMARINE BLUE

GÖVDE SEÇENEKLERİ / BODY OPTIONS: GG25, GGG40.3, RG5/10



USKON AKIŞKAN KONTROL SİSTEMLERİ SANAYİ VE TİCARET LTD. ŞTİ.

Kemankeş Kara MustafaPaşa Mah. Ağaç Tulumba Sok. No: 4/A Karaköy / İstanbul Tel: +90 (212) 251 05 05 Fax: +90 (212) 251 05 79 info@us-kon.com.tr