

Description

EAE series quarter-turn electric actuators are used for controlling 0~90° turn valves such as butterfly, ball, plug valves and dampers etc.



Main Product Features

- Designed for small quarter-turn applications.
- Protection class to IP67, NEMA4 and 6
- The Actuator can automate the valves requiring up to 270 degree rotation.
- To help protect the components and extend the actuator's life, an anti-condensation thermal protector is provided to protect the motor from overheating.

Technical Parameters and Specifications (On/Off or Modulating Version)

Model	Max Output Torque (N.m)	Operating Time 90° (Sec.) 220VAC/24VDC	Drive Shaft (mm)	Flange Size	Motor (W)	1ph Current (A) 220VAC/24VDC	Weight (kg)
EAE-003	30 Nm	10 / 10	11x11	F03/05	8	0.15/	2.1
EAE-005	50 Nm	30 / 15	14x14	F05/07	10	0.25 / 2.2	3.6
EAE-008	80 Nm	30 / 15	14x14	F05/07	10	0.25 / 2.2	3.6
EAE-010	100 Nm	30 / 15	17x17	F05/07	15	0.35 / 3.5	4.6
EAE-015	150 Nm	30 / 15	17x17	F05/07	15	0.37 / 3.5	4.6
EAE-020	200 Nm	30 / 15	22x22	F07/10	45	0.3 / 7.2	8.9
EAE-040	400 Nm	30 / 15	22x22	F07/10	60	0.33 / 7.2	8.9
EAE-060	600 Nm	30 / 15	27x27	F07/10	90	0.33 / 7.2	9.3
EAE-080	800 Nm	40 / 20	27x27	F10/12	180	0.47 / 11	14.3
EAE-100	1000 Nm	40 / 20	27x27	F10/12	180	0.47 / 11	14.5
EAE-200	2000 Nm	45 / 22	27x27	F10/12	180	1.5 / 15	14.5

Product Ordering

EAE - XXX	- X X X X	
003: 30Nm		1: 90° turn
005: 50Nm		1: On/Off
008: 80Nm		4: Modulating (PCU)
010: 100Nm		
015: 150Nm		1: 220VAC
020: 200Nm		2: 24VDC
040: 400Nm		4: 110VAC
080: 800Nm		
100: 1000Nm		
200: 2000Nm	1: Weatherproof (IP67)	

■ Performance Features

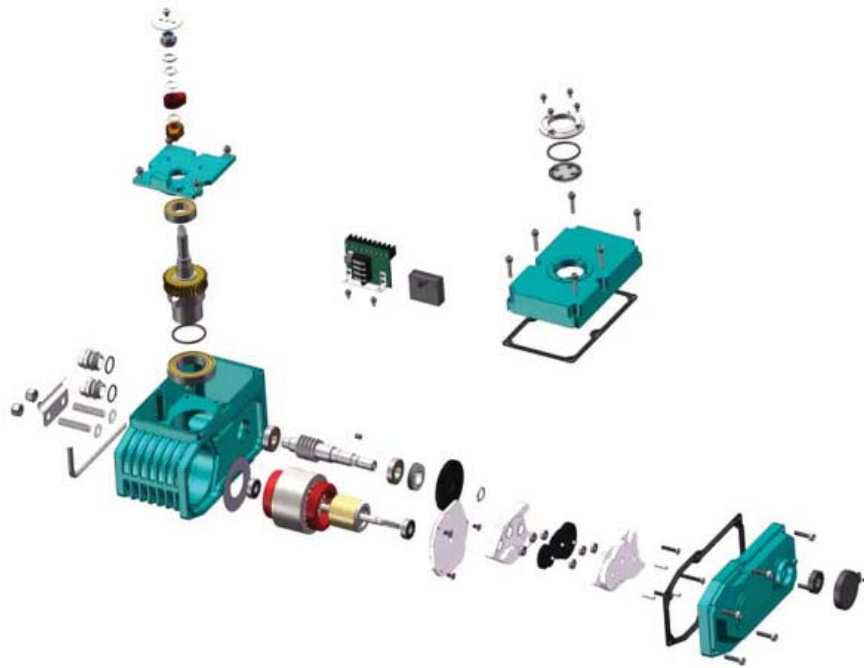
Function	: On/Off or Modulating
Housing Material	: Aluminum Alloy, Epoxy Powder Coated
Gear	: Steel / Aluminum Bronze
Screws	: Stainless Steel
Indicator Cover	: Polycarbonated
Shaft/Adaptor	: Steel
Seal	: NBR
Lubrication	: Aluminum Based Grease
Power Supply	: 220VAC, 24VDC
Motor	: Squirrel Cage Asynchronous Motor
Limit Switch	: SPDT, 250VAC 10A, Each For Open and Close Position
Rotation	: 90° (±10°) Other Rotation On Request
Manual Operation	: Mechanical Handle Standard
Conduit Entry	: 2 x M18
Operating Temp.	: -20°C to + 70°C
Ambient Humidity	: Max. 90% RH
Vibration Tested	: XYZ 10g, 0.2~34Hz, 30 minutes
Mounting	: ISO 5211
Torque Output	: 30Nm to 1000Nm (2000Nm on request)
Self-Locking Device	: Self-Locking by Worm and Worm Gear

■ Standard & Technical Data

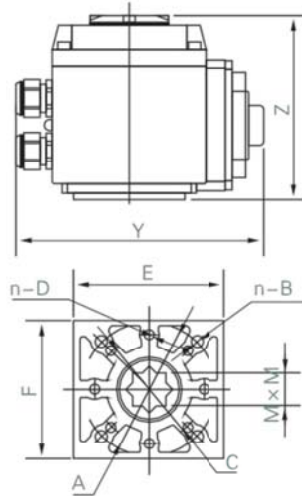
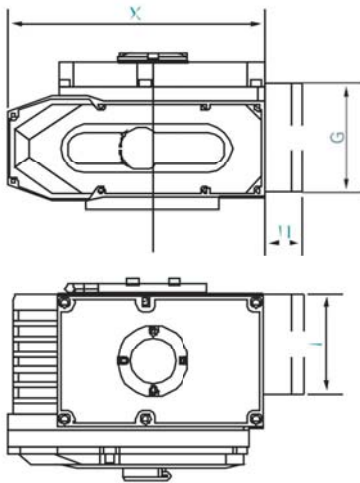
Indicator	: Dome Type (Option: LED Light Inside)
Ambient Temp	: -20°C ~ +70°C
Limit Switches	: 2 x Open/Close + Dry Contact 2 Open/Close
Manual Operation	: Hex Key (Option: Handwheel)
Space Heater	: 5W (110/230VAC, 24VDC)
Lubrication	: Aluminum Base Grease (EP type)
Surface Treatment	: Anodizing
Enclosure	: Waterproof Level IP67, NEMA4 and 6
Power Supply	: AC110/220V 1PH±10% 50/60HZ, DC24V
Travel Angle	: 90°±5° (Extension up to 270°)
Self Locking	: Provide Self Locking by Worm Gear
Conduit Entries	: 2PF 1/2" (Option: M20x1.5, NPT1/2")
External Coating	: Dry Powder, Epoxy Polyester
Material	: Aluminum Alloy, Steel, Alloy Bronze

■ Options Available

- Space Heater, 7 ... 10W (110/220VAC)*
- Stall Protection, Internal Overheating Protection, Open @ 120°C / Close @ 97°C (± 5°C)*
- Position Feedback Potentiometer (1K ... 10K)*
- Position Feedback Sensor with Current output (4 ... 20mA)*
- Proportional Control Unit for Modulating Control (Input/Output Signal, 4 ... 20mA, 1 ... 5 VDC, 1 ... 10VDC)*
- Field Control Unit (Local Control Open/Stop/Close Switch, Local/Remote Control Switch)*
- Power Failure Self Reset



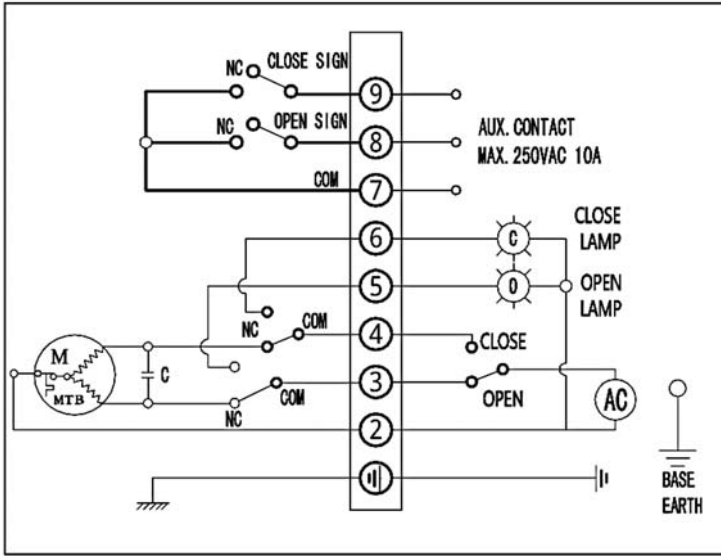
■ Dimensions (mm)



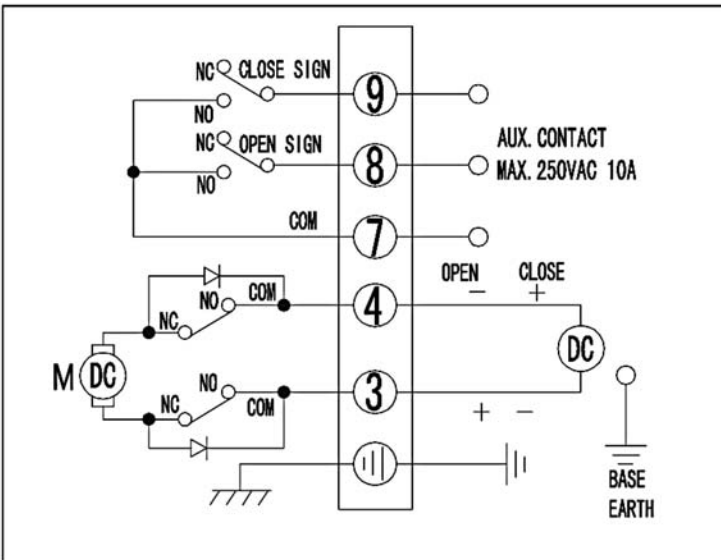
ISO 5211
Mounting Interface

Model	X	Y	Z	A	N-B	C	N-D	E	F	G	H	I	MxM
EAE-003	123	100	115	Ø50	4-M8	Ø36	4-M6	50	50	114	40	150	11x11
EAE-005	161	121	125	Ø70	4-M8	Ø50	4-M6	66	66	114	40	150	14x14
EAE-008	188	145	127	Ø70	4-M8	Ø50	4-M6	100	90	114	40	150	14x14
EAE-010	188	145	127	Ø70	4-M8	Ø50	4-M6	100	90	114	40	150	17x17
EAE-015	188	145	127	Ø70	4-M8	Ø50	4-M6	100	90	114	40	150	17x17
EAE-020	233	170	153	Ø102	4-M12	Ø70	4-M10	140	130	114	40	150	22x22
EAE-040	233	170	153	Ø102	4-M12	Ø70	4-M10	140	130	114	40	150	22x22
EAE-060	233	170	153	Ø102	4-M12	Ø70	4-M10	140	130	114	40	150	27x27
EAE-080	268	255	164	Ø125	4-M12	Ø102	4-M10	140	130	114	40	150	27x27
EAE-100	268	255	164	Ø125	4-M12	Ø102	4-M10	140	130	114	40	150	27x27

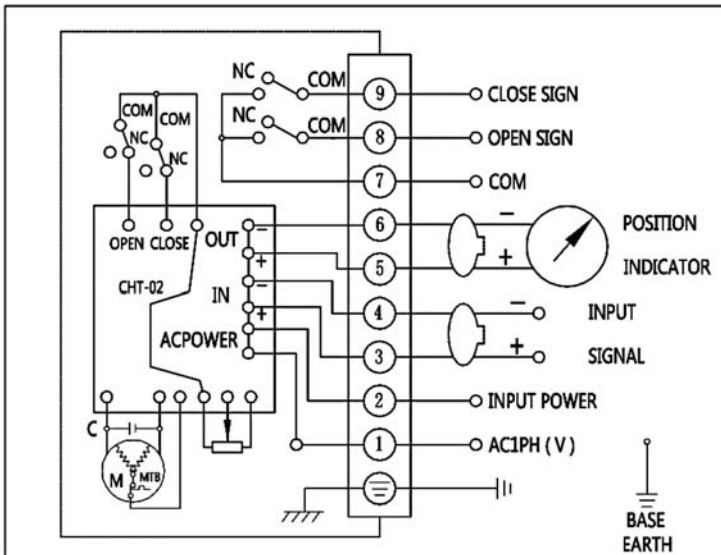
Electrical Wiring



220VAC
On/Off
Passive Type



24VDC
On/Off
Passive Type



220VAC
Modulating Type

