



Robust valve control device giving a confidence in reliable performance and outstanding durability under harsh working environments

Features

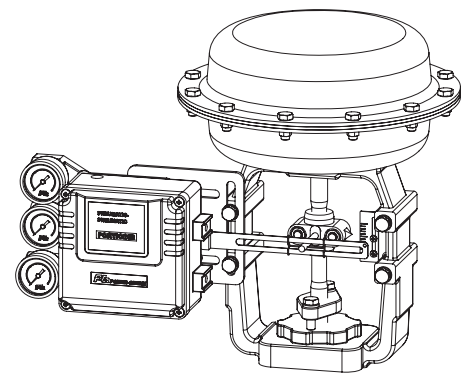
- ▶ Easy maintenance
- ▶ Precise calibration with simple SPAN and ZERO adjustments
- ▶ Simple conversion to direct acting or reverse acting
- ▶ 1/2 split range available
- ▶ Rugged aluminum housing with corrosion-resistant coating
- ▶ Vibration resistant design
- ▶ Stainless steel gauges standard
- ▶ Restricted pilot valve orifice kit for small actuators included

Options

- ▶ High temperature

Specifications

	PPL	
	Linear Type (Lever Feedback)	
	Single	Double
Input Signal	0.2 - 1.0 bar (3 - 15 psi) (Note.1, 2)	
Supply Air Pressure	Max. 7.0 bar (100 psi)	
Standard Stroke	10 - 80 mm (Note.3)	
Pneumatic Connections	PT(Rc) 1/4 or NPT 1/4	
Ambient Temperature	-20 ~ +70°C (Note. 4)	
Pressure Gauge	Stainless steel	
Output Characteristics	Linear	
Linearity	Within ± 1.0 % F.S	Within ± 1.5 % F.S
Sensitivity	Within ± 0.2 % F.S	Within ± 0.5 % F.S
Hysteresis	Within 1.0 % F.S	
Repeatability	Within ± 0.5 % F.S	
Air Consumption	5 LPM (Sup. 1.4 bar)	
Flow Capacity	80 LPM (Sup. 1.4 bar)	
Body Material	Aluminium die-cast	
Weight	2.1 kg	



- Note** :
- 1) 1/2 split range is available for 3~9 psi input signal or 9~15 psi input signal
 - 2) Please contact for 6~30 psi input signal
 - 3) Feedback lever can be extended to stroke 80 ~ 150mm
 - 4) High temperature option : up to +120°C without feedback options
up to +85°C with feedback options



How to Order

PPL —

Feedback
Lever

Pressure
Gauge
(SUP. OUT)

Pilot
Valve
Orifice

Connection
Threads

High
Temp

Mounting
Bracket

Description	Code
Feedback Lever :	A : Stroke (10 ~ 40 mm) B : Stroke (10 ~ 80 mm) C : Stroke (80 ~ 150 mm)
Pressure Gauge :	1 : 6 bar (90 psi) 2 : 10 bar (150 psi)
Pilot Valve Orifice :	S : Standard (Actuator volume over 180 cm ³) M : Small orifice (ϕ 1.0 or ϕ 0.7) (Actuator volume 90~180 cm ³)

Description	Code
Connection Threads : (pneumatic)	3 : PT(Rc) 1/4 4 : NPT 1/4
High Temperature .:	T : 70°C (standard) H : 120°C
Mounting Bracket :	N : None L : DIN / IEC 534

Dimensions

